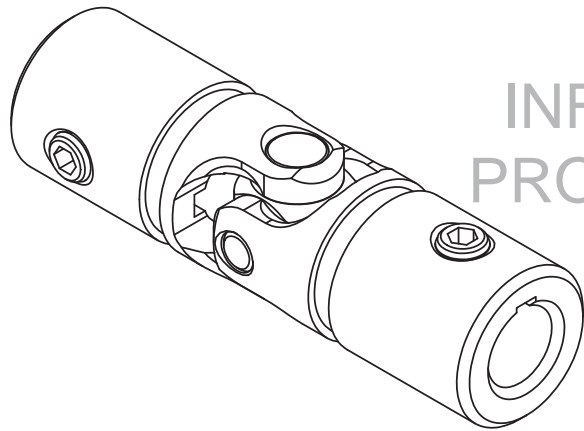
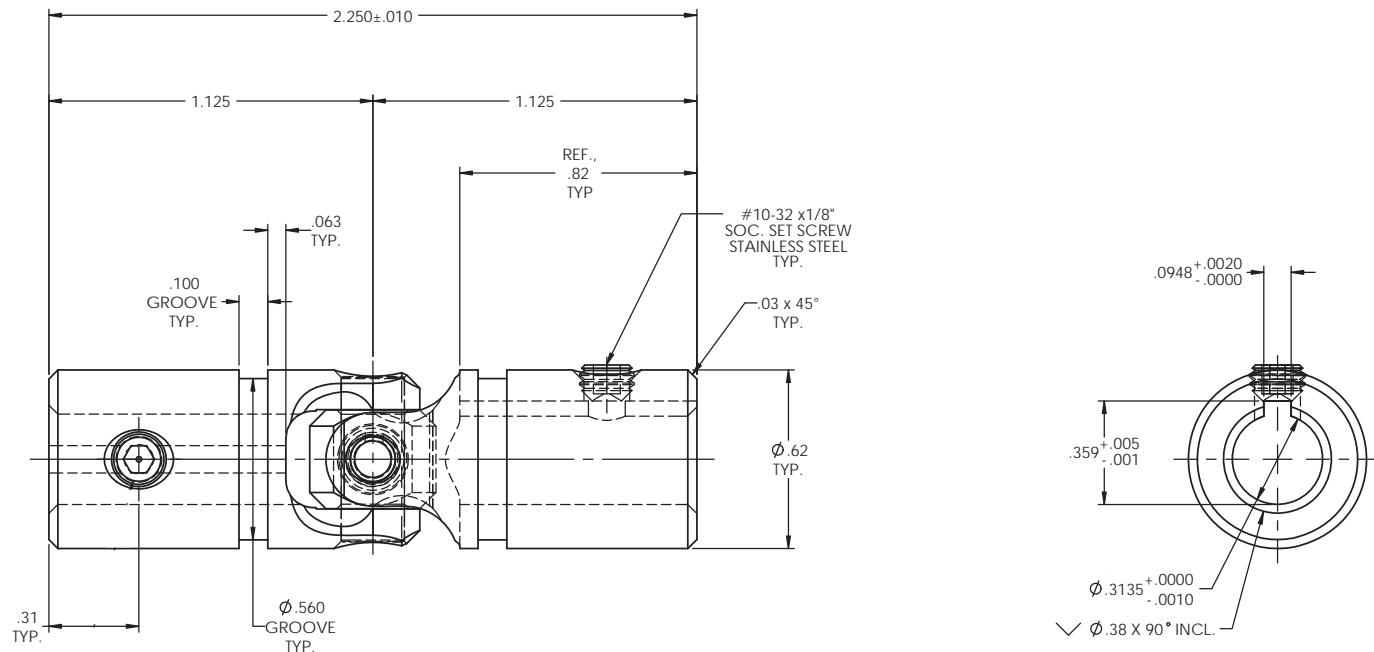


INFORMATION IN THIS DRAWING
PROVIDED FOR REFERENCE ONLY



REVISIONS				
ZONE	REV.	DESCRIPTION	DATE	APPROVED



TYPICAL BOTH ENDS

NOTE(S), UNLESS OTHERWISE SPECIFIED.

- UNIVERSAL JOINT IS MARKED w/ "BELDEN" LOGO, PART NUMBER / DRAWING NUMBER, REVISION LEVEL (IF ANY), DATE OF MANUFACTURE (MO/YR), AND BELDEN JOB NUMBER.
- UNIVERSAL JOINT IS LUBRICATED w/ LUBRIPLATE 1200-2, NLGI GRADE 2, AW/EP, LITHIUM GREASE OR EQUIVALENT.
- UNIVERSAL JOINT IS CAPABLE OF OPERATING AT ANY ANGLE UP TO AND INCLUDING 45°.
- UNIVERSAL JOINT HAS STANDARD GROOVES TO ACCEPT INSTALLATION OF PROTECTIVE COVER (BOOT). BOOT AVAILABLE SEPARATELY. REFER TO BELDEN CATALOG, WEBSITE, OR CONTACT BELDEN SALES.
- REFER TO BELDEN CATALOG, WEBSITE, OR CONTACT BELDEN SALES FOR TORQUE CAPACITY.
- THIS DRAWING REPRESENTS A STANDARD BELDEN ITEM. CUSTOM UNIVERSAL JOINTS ARE AVAILABLE UPON REQUEST. PLEASE CONTACT BELDEN SALES.

BELDEN PART NUMBER: UJ-SS625x313K

DO NOT SCALE DRAWING

UNLESS OTHERWISE SPECIFIED CHAMFER ALL HOLES BREAK ALL SHARP CORNERS DE-BURR ALL FEATURES	STANDARD TOLERANCES, UNLESS OTHERWISE SPECIFIED	MATERIAL STAINLESS STEEL	NAME JP	DATE 23MAR12	Belden Incorporated www.beldenuniversal.com
	DIMENSIONS ARE IN INCHES [mm]	HEAT TREAT SEE DETAIL DRAWINGS	CHECKED RNK	DATE 07JUN12	
TURNED SURFACES: ✓ 6/3	ANGULAR MACHINED: ±1.0° FRACTIONAL: ±.015° TWO PLACE DECIMAL: ±.010° THREE PLACE DECIMAL: ±.005° FOUR PLACE DECIMAL: ±.0005° MILLED SURFACES: ✓ 125	FINISH NONE	ENG APPR. RNK	MFG APPR.	SIZE C
PROPRIETARY AND CONFIDENTIAL	ALL HOLES TO BE LOCATED ON CENTERLINE (±) WITHIN .005" T.I.R. INTERPRET GEOMETRIC TOLERANCES I.A.W. ANSI Y14.5M-1992	COMMENTS	SCALE: 3:1		WT (Lbs): 0.133
				SHEET 1 OF 2	