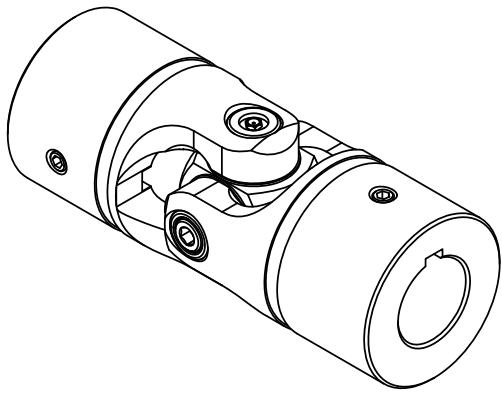
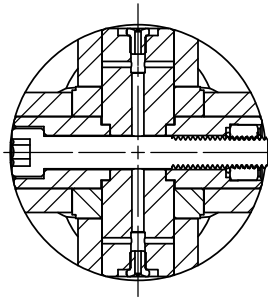


REVISIONS				
ZONE	REV.	DESCRIPTION	DATE	APPROVED



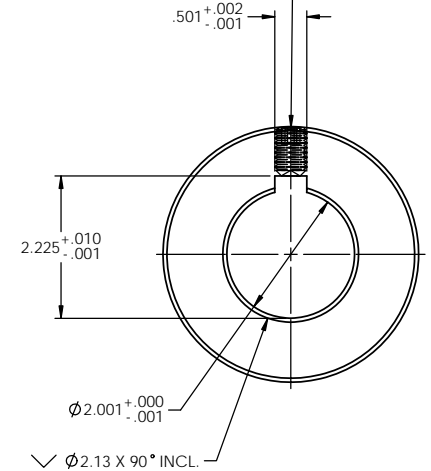
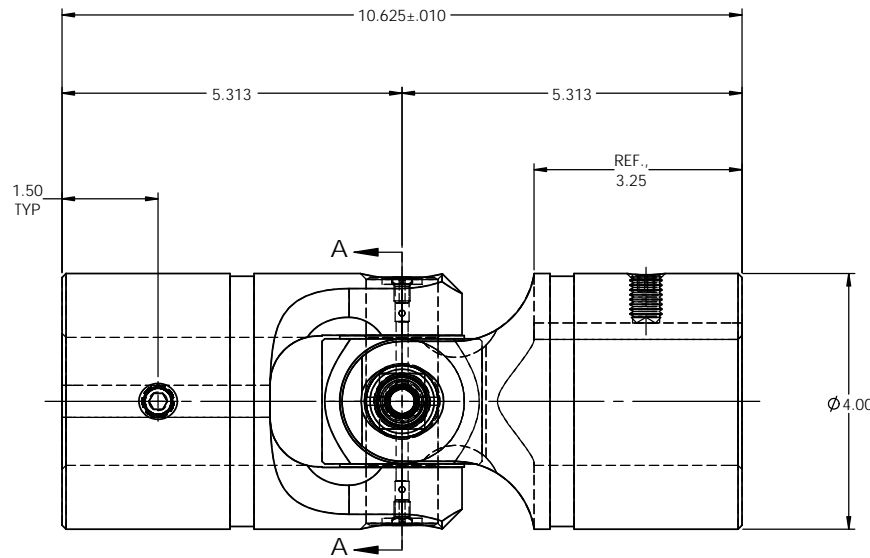
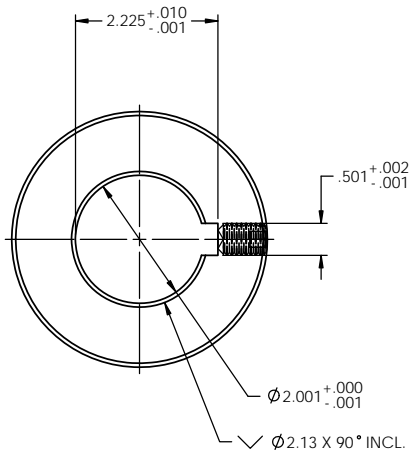
SCALE 1 : 2



SECTION A-A

INFORMATION IN THIS DRAWING  
PROVIDED FOR REFERENCE ONLY

SOC. SET SCREW, 1/2-13 x 3/4, CUP POINT, 18-8 STAINLESS ST'L



BELDEN PART NUMBER: UJ-SS4000x2000K

NOTE(S), UNLESS OTHERWISE SPECIFIED.

- UNIVERSAL JOINT IS MARKED w/ "BELDEN" LOGO, PART NUMBER / DRAWING NUMBER, REVISION LEVEL (IF ANY), DATE OF MANUFACTURE (MO/YR), AND BELDEN JOB NUMBER.
- UNIVERSAL JOINT IS LUBRICATED w/ LUBRIPLATE 1200-2, NLGI GRADE 2, AW/EP, LITHIUM GREASE OR EQUIVALENT.
- UNIVERSAL JOINT IS CAPABLE OF OPERATING AT ANY ANGLE UP TO AND INCLUDING 45°, 90° FOR THE DOUBLE UNIVERSAL JOINT.
- UNIVERSAL JOINT HAS STANDARD GROOVES TO ACCEPT INSTALLATION OF PROTECTIVE COVERS (BOOTS). BOOTS AVAILABLE SEPARATELY. REFER TO BELDEN CATALOG, WEBSITE, OR CONTACT BELDEN SALES.
- REFER TO BELDEN CATALOG, WEBSITE, OR CONTACT BELDEN SALES FOR TORQUE CAPACITY.
- THIS DRAWING REPRESENTS A STANDARD BELDEN ITEM. CUSTOM UNIVERSAL JOINTS ARE AVAILABLE UPON REQUEST. PLEASE CONTACT BELDEN SALES.

DO NOT SCALE DRAWING

UNLESS OTHERWISE SPECIFIED CHAMFER ALL HOLES BREAK ALL SHARP CORNERS DE-BURR ALL FEATURES TURNED SURFACES: $\sqrt{63}$ MILLED SURFACES: $\sqrt{125}$ PROPRIETARY AND CONFIDENTIAL THE INFORMATION CONTAINED IN THIS DRAWING IS THE SOLE PROPERTY OF BELDEN INCORPORATED. ANY REPRODUCTION IN PART OR AS A WHOLE WITHOUT THE WRITTEN PERMISSION OF BELDEN INCORPORATED IS PROHIBITED.	STANDARD TOLERANCES, UNLESS OTHERWISE SPECIFIED DIMENSIONS ARE IN INCHES [mm]	MATERIAL STAINLESS STEEL	INITIALS DRAWN: JP CHECKED: RNK ENG APPR: RNK MFG APPR: QUALITY APPR:	DATE 14 OCT 15 10/15/2015 10/16/2015	Belden Incorporated <a href="http://www.beldenuniversal.com">www.beldenuniversal.com</a>	
	ANGULAR MACHINED: $\pm 1.0^\circ$ FRACTIONAL: $\pm 0.15$ TWO PLACE DECIMAL: $\pm 0.10$ THREE PLACE DECIMAL: $\pm 0.05$ FOUR PLACE DECIMAL: $\pm 0.005$ CONCENTRICITY: $0.005$ TLR	HEAT TREAT NONE	TITLE: ASSEMBLY, UNIVERSAL JOINT	SIZE C	DWG. NO. UJ-SS4000x2000K	REV
	ALL HOLES TO BE LOCATED ON CENTERLINE (C) WITHIN .005" TLR INTERPRET GEOMETRIC TOLERANCES I.A.W. ASME Y14.5	FINISH NONE	COMMENTS:	SCALE: 2:3	WT (Lbs): 25.776	SHEET 1 OF 2
	FORM S.W.C. B-10	UJ-SS4000x2000K.SLDRW	3	2	3/22/2019 9:22 AM	1