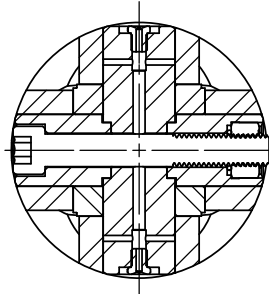
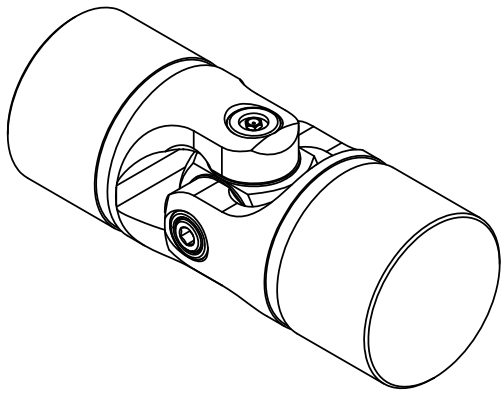
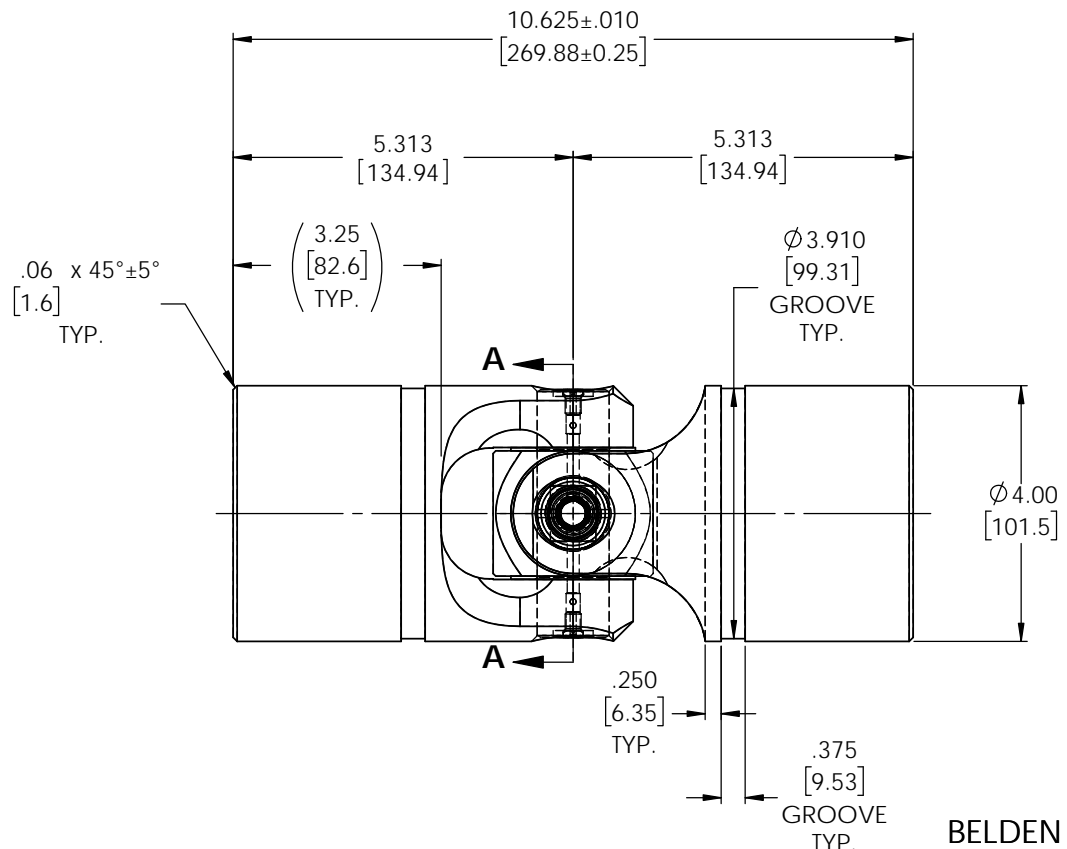


REVISIONS				
ZONE	REV.	DESCRIPTION	DATE	APPROVED



SECTION A-A

INFORMATION IN THIS DRAWING PROVIDED FOR REFERENCE ONLY



BELDEN PART NUMBER: UJ-SS4000x00

- NOTE(s), UNLESS OTHERWISE SPECIFIED.
- UNIVERSAL JOINT IS MARKED w/ "BELDEN" LOGO, PART NUMBER / DRAWING NUMBER, REVISION LEVEL (IF ANY), DATE OF MANUFACTURE (MO/YR), AND BELDEN JOB NUMBER.
  - UNIVERSAL JOINT IS LUBRICATED w/ LUBRIPLATE 1200-2, NLGI GRADE 2, AW/EP, LITHIUM GREASE OR EQUIVALENT.
  - UNIVERSAL JOINT IS CAPABLE OF OPERATING AT ANY ANGLE UP TO AND INCLUDING  $45^\circ$ ,  $90^\circ$  FOR THE DOUBLE UNIVERSAL JOINT.
  - UNIVERSAL JOINT HAS STANDARD GROOVES TO ACCEPT INSTALLATION OF PROTECTIVE COVERS (BOOTS). BOOTS AVAILABLE SEPARATELY. REFER TO BELDEN CATALOG, WEBSITE, OR CONTACT BELDEN SALES.
  - REFER TO BELDEN CATALOG, WEBSITE, OR CONTACT BELDEN SALES FOR TORQUE CAPACITY.
  - THIS DRAWING REPRESENTS A STANDARD BELDEN ITEM. CUSTOM UNIVERSAL JOINTS ARE AVAILABLE UPON REQUEST. PLEASE CONTACT BELDEN SALES.

DO NOT SCALE DRAWING

UNLESS OTHERWISE SPECIFIED CHAMFER ALL HOLES BREAK ALL SHARP CORNERS DE-BURR ALL FEATURES TURNED SURFACES: $\sqrt{6.3}$ MILLED SURFACES: $\sqrt{125}$ PROPRIETARY AND CONFIDENTIAL THE INFORMATION CONTAINED IN THIS DRAWING IS THE SOLE PROPERTY OF BELDEN UNIVERSAL. ANY REPRODUCTION IN PART OR AS A WHOLE WITHOUT THE WRITTEN PERMISSION OF BELDEN UNIVERSAL IS PROHIBITED.	STANDARD TOLERANCES, UNLESS OTHERWISE SPECIFIED DIMENSIONS ARE IN INCHES [mm]	MATERIAL: STAINLESS STEEL HEAT TREAT: NONE FINISH: NONE	INITIALS: AJH DATE: 23 JUL 18	Belden Incorporated <a href="http://www.beldenuniversal.com">www.beldenuniversal.com</a>	
	ANGULAR MACHINED: $\pm 1.0^\circ$ FRACTIONAL: $\pm 0.015$ TWO PLACE DECIMAL: $\pm 0.010$ THREE PLACE DECIMAL: $\pm 0.005$ FOUR PLACE DECIMAL: $\pm 0.0005$ CONCENTRICITY: $0.0025$ T.I.R.	ALL HOLES TO BE LOCATED ON CENTERLINE (C) WITHIN $0.005$ T.I.R. INTERPRET GEOMETRIC TOLERANCES I.A.W. ASME Y14.5	COMMENTS:	TITLE: ASSEMBLY, UNIVERSAL JOINT	SIZE: A DWG. NO.: UJ-SS4000x00
	SCALE: 2:3 WT (Lbs): 32.038 SHEET 1 OF 2	REV:	DATE: 07/24/2018	ENG APPR:	MFG APPR:
	QC APPR:	COMMENTS:	COMMENTS:	COMMENTS:	COMMENTS: