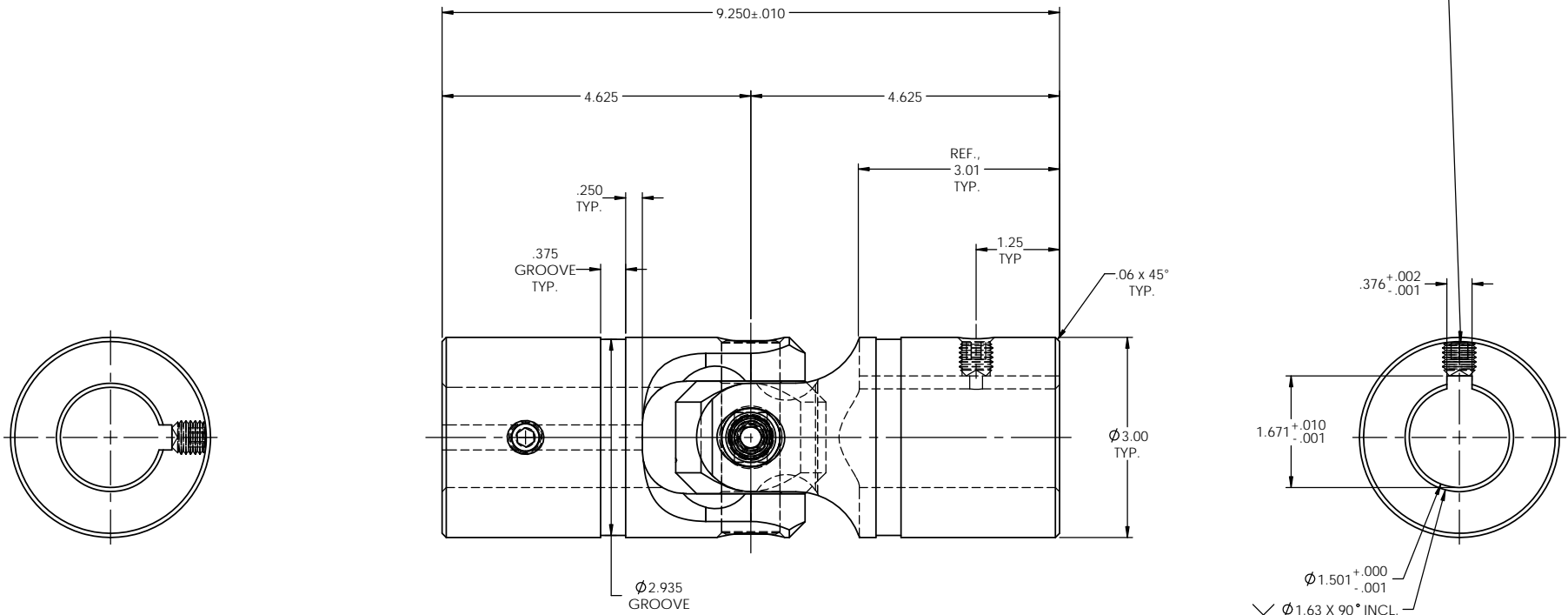


SCALE 1 : 1.5

INFORMATION IN THIS DRAWING PROVIDED FOR REFERENCE ONLY

SOC. SET SCREW, 1/2-13 x 1/2, CUP POINT, 18-8 STAINLESS ST'L



NOTE(s), UNLESS OTHERWISE SPECIFIED.

- (1) UNIVERSAL JOINT IS MARKED w/ "BELDEN" LOGO, PART NUMBER / DRAWING NUMBER, REVISION LEVEL (IF ANY), DATE OF MANUFACTURE (MO/YR), AND BELDEN JOB NUMBER.
- (2) UNIVERSAL JOINT IS LUBRICATED w/ LUBRIPLATE 1200-2, NLGI GRADE 2, AW/EP, LITHIUM GREASE OR EQUIVALENT.
- (3) UNIVERSAL JOINT IS CAPABLE OF OPERATING AT ANY ANGLE UP TO AND INCLUDING 45° , 90° FOR THE DOUBLE UNIVERSAL JOINT.
- (4) UNIVERSAL JOINT HAS STANDARD GROOVES TO ACCEPT INSTALLATION OF PROTECTIVE COVERS (BOOTS). BOOTS AVAILABLE SEPARATELY. REFER TO BELDEN CATALOG, WEBSITE, OR CONTACT BELDEN SALES.
- (5) REFER TO BELDEN CATALOG, WEBSITE, OR CONTACT BELDEN SALES FOR TORQUE CAPACITY.
- (6) THIS DRAWING REPRESENTS A STANDARD BELDEN ITEM. CUSTOM UNIVERSAL JOINTS ARE AVAILABLE UPON REQUEST. PLEASE CONTACT BELDEN SALES.

BELDEN PART NUMBER: UJ-SS3000x1500K

DO NOT SCALE DRAWING

UNLESS OTHERWISE SPECIFIED CHAMFER ALL HOLES BREAK ALL SHARP CORNERS DE-BURR ALL FEATURES TURNED SURFACES: $\sqrt{63}$ MILLED SURFACES: $\sqrt{125}$ PROPRIETARY AND CONFIDENTIAL THE INFORMATION CONTAINED IN THIS DRAWING IS THE SOLE PROPERTY OF BELDEN INCORPORATED. ANY REPRODUCTION IN PART OR AS A WHOLE WITHOUT THE WRITTEN PERMISSION OF BELDEN INCORPORATED IS PROHIBITED.	STANDARD TOLERANCES, UNLESS OTHERWISE SPECIFIED DIMENSIONS ARE IN INCHES [mm]	MATERIAL STAINLESS STEEL	INITIALS EO	DATE 22NOV16	Belden Incorporated www.beldenuniversal.com TITLE: ASSEMBLY, UNIVERSAL JOINT SIZE C	
	ANGULAR MACHINED: FRACTIONAL: $\pm 1.0^\circ$ TWO PLACE DECIMAL: $\pm 0.15^\circ$ THREE PLACE DECIMAL: $\pm 0.05^\circ$ FOUR PLACE DECIMAL: $\pm 0.005^\circ$ CONCENTRICITY: 0.0025 TLR	HEAT TREAT N/A	DRAWN EO	11/23/2016		DWG. NO. UJ-SS3000x1500K
	ALL HOLES TO BE LOCATED ON CENTERLINE (C) WITHIN 0.05° T.I.R. INTERPRET GEOMETRIC TOLERANCES I.A.W. ASME Y14.5	FINISH NONE	CHECKED RNK	11/28/2016		REV
			ENG APPR. MFG APPR. QUALITY APPR.			SCALE: 1:1.25 (WT (Lbs): 13.084) SHEET 1 OF 2