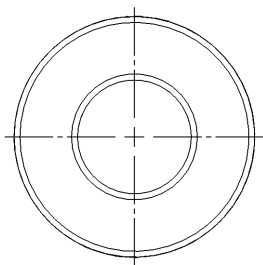
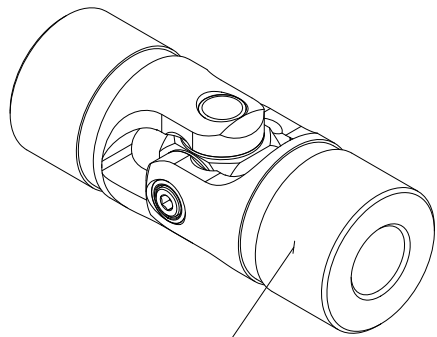


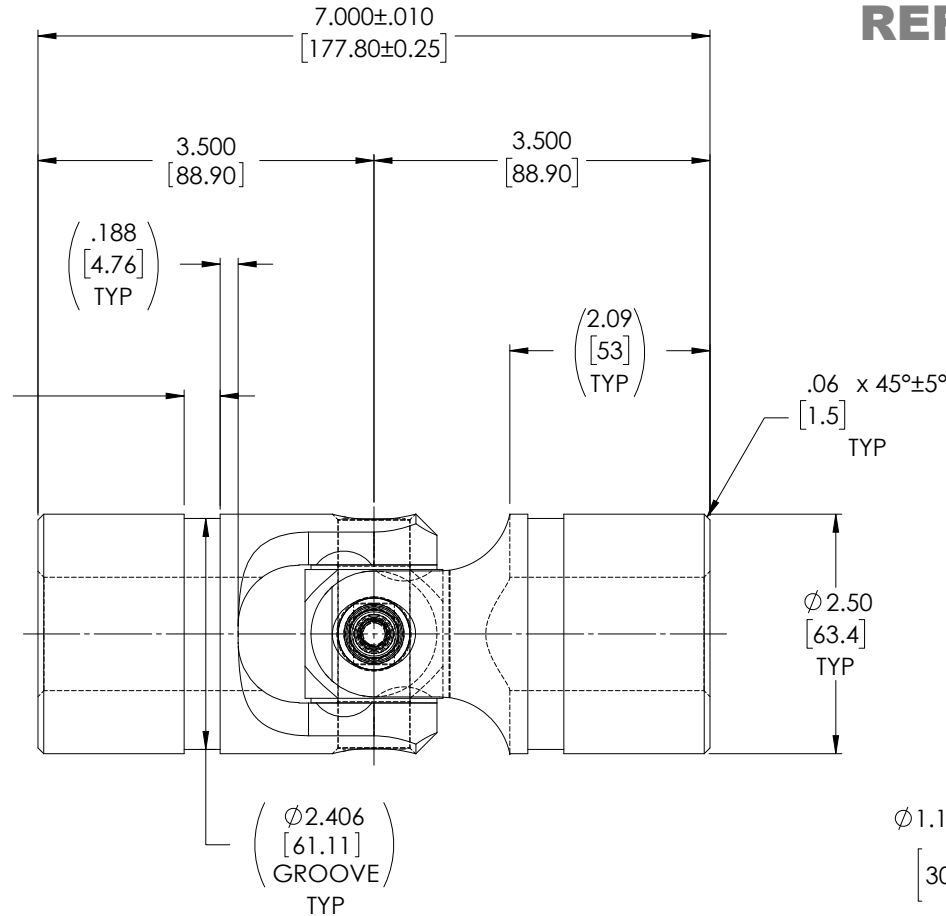
APPROVED

REVISIONS				
ZONE	REV.	DESCRIPTION	DATE	APPROVED
	A	INITIAL RELEASE	6/6/2019	JP

FOR REFERENCE ONLY

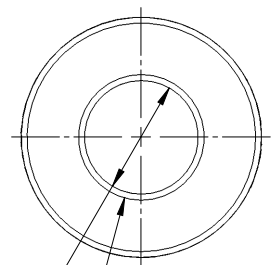


$\left(\begin{matrix} .375 \\ [9.53] \\ \text{GROOVE} \\ \text{TYP} \end{matrix} \right)$



$\begin{matrix} \text{Ø } 1.1811^{+.0008} \\ \text{Ø } 30^{+0.021} \\ \text{Ø } 0 \end{matrix}$

$\checkmark \text{ Ø } 1.31 \times 90^\circ \pm 10^\circ \text{ INCL.}$
[33.2]



TYPICAL BOTH ENDS

NOTE(s), UNLESS OTHERWISE SPECIFIED.

1 MARK ASSEMBLY w/ "BELDEN" LOGO, PART NUMBER, REVISION LEVEL (IF ANY), DATE OF MANUFACTURE (MO/YR). & BELDEN JOB No.

(2) LUBRICATE WITH LUBRIPLATE® PRODUCT No. 1200-2 NLGI GRADE 2, AW/EP, LITHIUM GREASE.

(3) TORQUE M8x1.25 SOCKET HEAD CAP SCREW TO 20 FT-LBS.

(4) REF., MAXIMUM OPERATING ANGLE: 45°.

(5) REF., MATERIAL: YOKES... TYPE 303 STAINLESS STEEL, BLOCK & PINS... TYPE 416 STAINLESS STEEL, CAP SCREW.... TYPE 18-8 STAINLESS STEEL, HEX LOCKNUT... TYPE 18-8 STAINLESS STEEL.

DO NOT SCALE DRAWING

UNLESS OTHERWISE SPECIFIED CHAMFER ALL HOLES BREAK ALL SHARP CORNERS DE-BURR ALL FEATURES TURNED SURFACES: \checkmark 63 MILLED SURFACES: \checkmark 125 PROPRIETARY AND CONFIDENTIAL THE INFORMATION CONTAINED IN THIS DRAWING IS THE SOLE PROPERTY OF BELDEN UNIVERSAL. ANY REPRODUCTION IN PART OR AS A WHOLE WITHOUT THE WRITTEN PERMISSION OF BELDEN UNIVERSAL IS PROHIBITED.	STANDARD TOLERANCES, UNLESS OTHERWISE SPECIFIED DIMENSIONS ARE IN INCHES (mm) ANGULAR MACHINED: $\pm 1.0^\circ$ FRACTIONAL: $\pm .015$ TWO PLACE DECIMAL: $\pm .010$ THREE PLACE DECIMAL: $\pm .005$ FOUR PLACE DECIMAL: $\pm .0005$ CONCENTRICITY: $\pm .0025$ T.I.R.	MATERIAL: STAINLESS STEEL HEAT TREAT: SEE DETAIL DRAWINGS FINISH: NONE	INITIALS: JP DATE: 06/JUN/19 CHECKED: RNK DATE: 07/12/2019 ENG APPR: RNK MFG APPR: QC APPR:	Belden Incorporated www.beldenuniversal.com TITLE: ASSEMBLY, UNIVERSAL JOINT
	ALL HOLES TO BE LOCATED ON CENTERLINE (C) WITHIN .005" T.I.R. INTERPRET GEOMETRIC TOLERANCES I.A.W. ASME Y14.5		COMMENTS:	
	SIZE: A DWG. NO.: UJ-SS2500x30 REV: A		SCALE: 1:1 WT (Lbs): 6.817 SHEET 1 OF 2	
	FORM SW-A 5-18 8		Page 1 of 2	