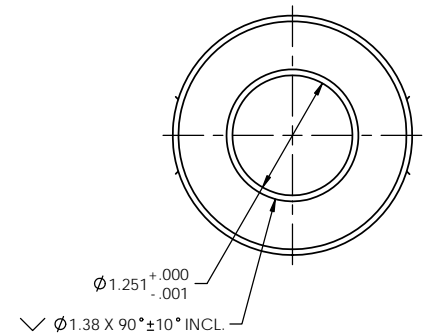
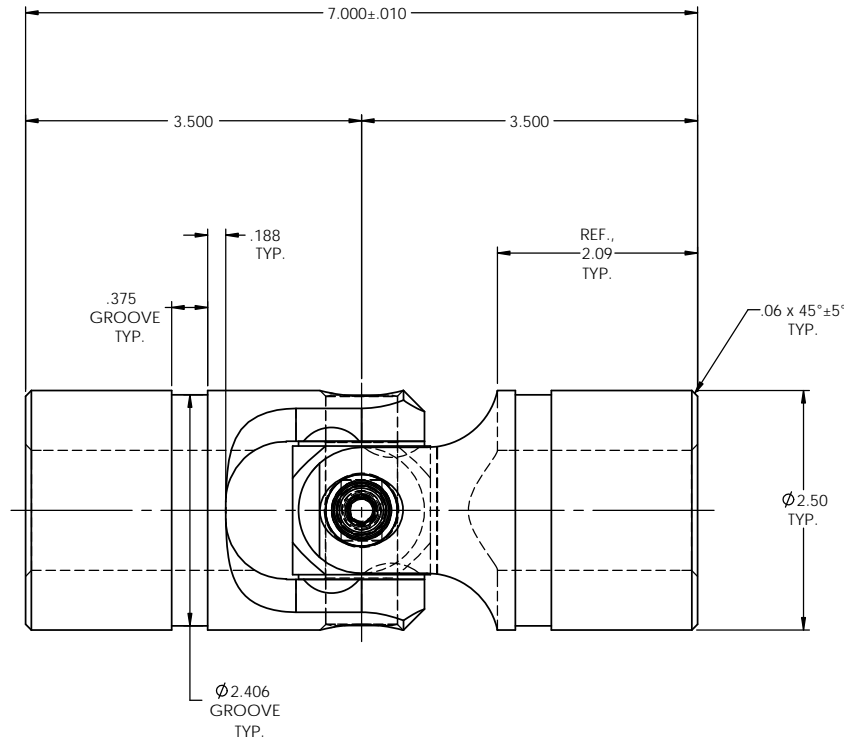


SCALE 1 : 1.5

# INFORMATION IN THIS DRAWING PROVIDED FOR REFERENCE ONLY



TYPICAL BOTH ENDS

NOTE(S), UNLESS OTHERWISE SPECIFIED.

- (1) UNIVERSAL JOINT IS MARKED w/ "BELDEN" LOGO, PART NUMBER / DRAWING NUMBER, REVISION LEVEL (IF ANY), DATE OF MANUFACTURE (MO/YR), AND BELDEN JOB NUMBER.
- (2) UNIVERSAL JOINT IS LUBRICATED w/ LUBRIPLATE 1200-2, NLGI GRADE 2, AW/EP, LITHIUM GREASE OR EQUIVALENT.
- (3) UNIVERSAL JOINT IS CAPABLE OF OPERATING AT ANY ANGLE UP TO AND INCLUDING 45°, 90° FOR THE DOUBLE UNIVERSAL JOINT.
- (4) UNIVERSAL JOINT HAS STANDARD GROOVES TO ACCEPT INSTALLATION OF PROTECTIVE COVERS (BOOTS). BOOTS AVAILABLE SEPARATELY. REFER TO BELDEN CATALOG, WEBSITE, OR CONTACT BELDEN SALES.
- (5) REFER TO BELDEN CATALOG, WEBSITE, OR CONTACT BELDEN SALES FOR TORQUE CAPACITY.
- (6) THIS DRAWING REPRESENTS A STANDARD BELDEN ITEM. CUSTOM UNIVERSAL JOINTS ARE AVAILABLE UPON REQUEST. PLEASE CONTACT BELDEN SALES.

**BELDEN PART NUMBER: UJ-SS2500x1250**

DO NOT SCALE DRAWING

UNLESS OTHERWISE SPECIFIED CHAMFER ALL HOLES BREAK ALL SHARP CORNERS DE-BURR ALL FEATURES	STANDARD TOLERANCES, UNLESS OTHERWISE SPECIFIED  DIMENSIONS ARE IN INCHES [mm]	MATERIAL	STAINLESS STEEL	INITIALS	DATE	Belden Incorporated www.beldenuniversal.com	
		DRAWN	JP	14SEP17	TITLE:		
TURNED SURFACES: $\sqrt{63}$	ANGULAR MACHINED: $\pm 1.0^\circ$	HEAT TREAT	SEE DETAIL DRAWINGS	CHECKED	JMH	09/15/2017	ASSEMBLY, UNIVERSAL JOINT
MILLED SURFACES: $\sqrt{125}$	FRACTIONAL: $\pm 0.015$	ENG APPR	RNK	ENG APPR	RNK	09/20/2017	
PROPRIETARY AND CONFIDENTIAL	ALL HOLES TO BE LOCATED ON CENTERLINE (C) WITHIN .005" T.I.R.	FINISH	NONE	QUALITY APPR			SIZE
THE INFORMATION CONTAINED IN THIS DRAWING IS THE SOLE PROPERTY OF BELDEN INCORPORATED. ANY REPRODUCTION IN PART OR AS A WHOLE WITHOUT THE WRITTEN PERMISSION OF BELDEN INCORPORATED IS PROHIBITED.	INTERPRET GEOMETRIC TOLERANCES I.A.W. ASME Y14.5			COMMENTS:			DWG. NO.
							C UJ-SS2500x1250
							SCALE: 1:1 WT (Lbs): 6.647 SHEET 1 OF 2