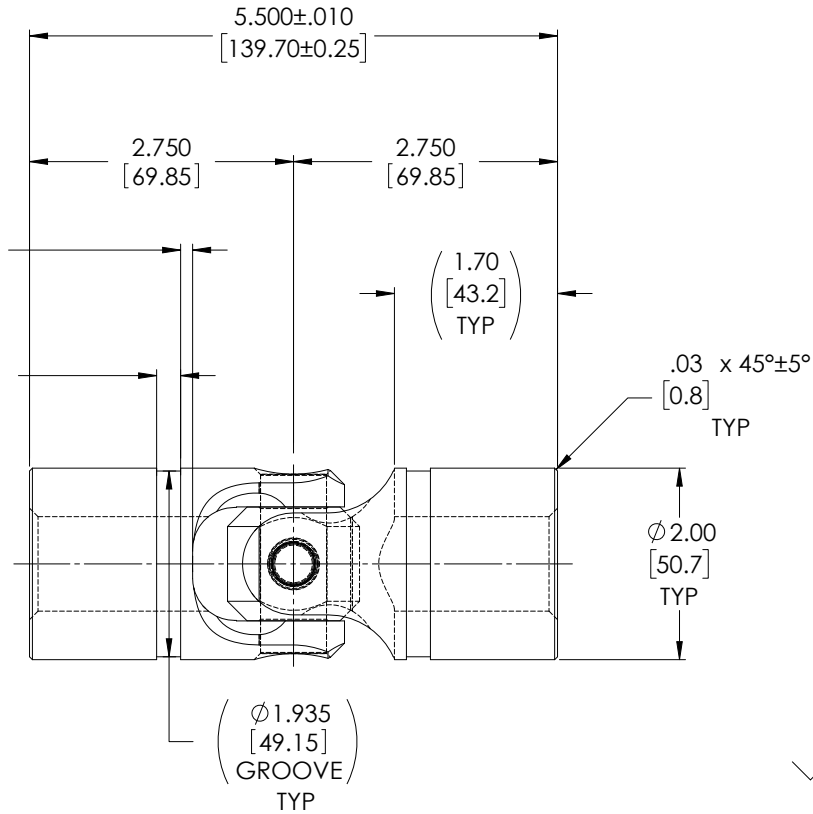
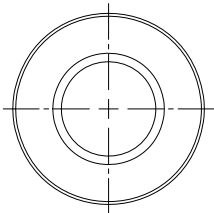
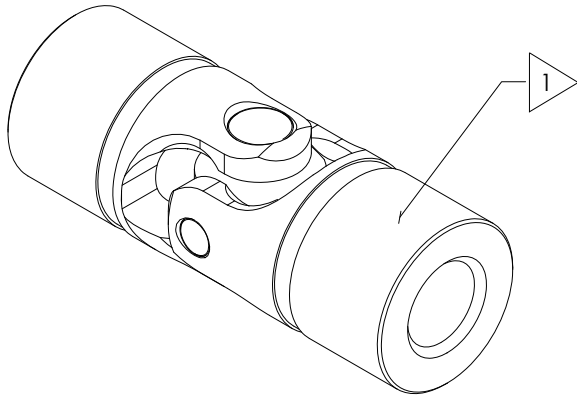


APPROVED

FOR
REFERENCE
ONLY

| REVISIONS | | | | |
|-----------|------|-----------------|----------|----------|
| ZONE | REV. | DESCRIPTION | DATE | APPROVED |
| | A | INITIAL RELEASE | 6/6/2019 | JP |



$\phi .9843^{+.0008}$
 $_{-.0000}$
 $[25^{+0.021}$
 $0]$

✓ $\phi 1.16 \times 90^\circ \pm 10^\circ$ INCL.
 $[29.5]$

TYPICAL BOTH ENDS

NOTE(s), UNLESS OTHERWISE SPECIFIED.

1 MARK ASSEMBLY w/ "BELDEN" LOGO, PART NUMBER, REVISION LEVEL (IF ANY), DATE OF MANUFACTURE & BELDEN JOB No.

(2) LUBRICATE U-JOINT w/ LUBRIPLATE # 1200-2, NLGI GRADE 2, AW/EP, LITHIUM GREASE OR EQUIVALENT.

(3) REFERENCE, MATERIAL: YOKES... TYPE 303 STAINLESS STEEL, BLOCK & PINS... TYPE 416 STAINLESS STEEL, RETAINING RING... TYPE 302 STAINLESS STEEL.

(4) REF., MAXIMUM OPERATING ANGLE: 45°

DO NOT SCALE DRAWING

| | | | | | | | |
|---|---|-----------------------------------|------------------------------|-------------------|---|--------------------------|-----------------|
| UNLESS OTHERWISE SPECIFIED CHAMFER ALL HOLES BREAK ALL SHARP CORNERS DE-BURR ALL FEATURES TURNED SURFACES: $\sqrt{63}$ MILLED SURFACES: $\sqrt{125}$ PROPRIETARY AND CONFIDENTIAL THE INFORMATION CONTAINED IN THIS DRAWING IS THE SOLE PROPERTY OF BELDEN UNIVERSAL. ANY REPRODUCTION IN PART OR AS A WHOLE WITHOUT THE WRITTEN PERMISSION OF BELDEN UNIVERSAL IS PROHIBITED. | STANDARD TOLERANCES, UNLESS OTHERWISE SPECIFIED DIMENSIONS ARE IN INCHES [mm] | MATERIAL STAINLESS STEEL | DRAWN JP 06/JUN/19 | DATE 06/JUN/19 | Belden Incorporated www.beldenuniversal.com TITLE: ASSEMBLY, UNIVERSAL JOINT | | |
| | ANGULAR MACHINED: $\pm 1.0^\circ$ FRACTIONAL: $\pm .015$ TWO PLACE DECIMAL: $\pm .010$ THREE PLACE DECIMAL: $\pm .005$ FOUR PLACE DECIMAL: $\pm .0005$ CONCENTRICITY: $\pm .0025$ T.I.R. | HEAT TREAT SEE DETAIL DRAWINGS | CHECKED RNK 07/12/2019 | INITIALS RNK | | DATE 07/12/2019 | |
| | ALL HOLES TO BE LOCATED ON CENTERLINE (C) WITHIN .005" T.I.R. INTERPRET GEOMETRIC TOLERANCES I.A.W. ASME Y14.5 | FINISH NONE | COMMENTS: | SIZE A | | DWG. NO. UJ-SS2000x25 | REV A |
| | SCALE: 1:1 WT (Lbs): 3.437 SHEET 1 OF 2 | | | | | | |