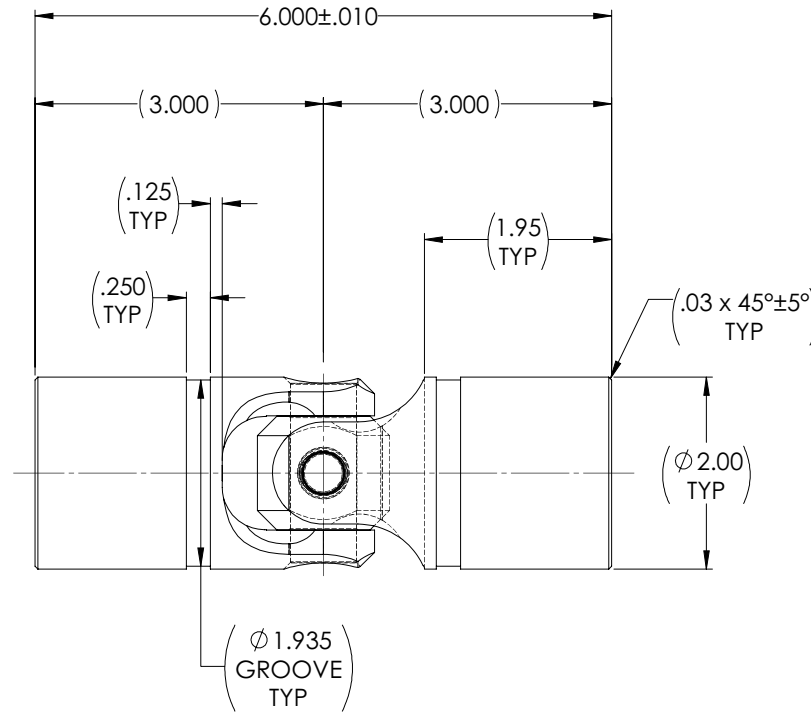
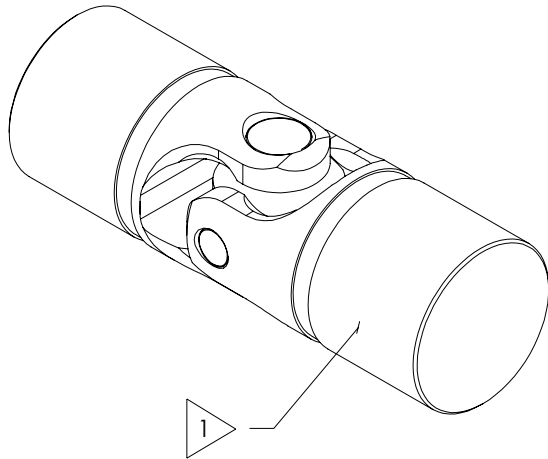


APPROVED

REVISIONS				
ZONE	REV.	DESCRIPTION	DATE	APPROVED

INFORMATION IN THIS DRAWING
PROVIDED FOR REFERENCE ONLY



NOTE(s), UNLESS OTHERWISE SPECIFIED.

1 MARK ASSEMBLY w/ "BELDEN" LOGO, PART NUMBER, REVISION LEVEL, DATE OF MANUFACTURE (MO/YR) & BELDEN JOB No.

(2) REF., MATERIAL: TYPE 316/316L STAINLESS STEEL.

(3) LUBRICATE U-JOINT w/ LUBRIPLATE # 1200-2, NLGI GRADE 2, AW/EP, LITHIUM GREASE OR EQUIVALENT.

DO NOT SCALE DRAWING

UNLESS OTHERWISE SPECIFIED CHAMFER ALL HOLES BREAK ALL SHARP CORNERS DE-BURR ALL FEATURES TURNED SURFACES: $\sqrt{63}$ MILLED SURFACES: $\sqrt{125}$ PROPRIETARY AND CONFIDENTIAL THE INFORMATION CONTAINED IN THIS DRAWING IS THE SOLE PROPERTY OF BELDEN UNIVERSAL. ANY REPRODUCTION IN PART OR AS A WHOLE WITHOUT THE WRITTEN PERMISSION OF BELDEN UNIVERSAL IS PROHIBITED.	STANDARD TOLERANCES, UNLESS OTHERWISE SPECIFIED DIMENSIONS ARE IN INCHES [mm] ANGULAR MACHINED: $\pm 1.0^\circ$ FRACTIONAL: ± 0.15 TWO PLACE DECIMAL: ± 0.10 THREE PLACE DECIMAL: ± 0.005 FOUR PLACE DECIMAL: ± 0.0005 CONCENTRICITY: 0.0025 T.I.R.	MATERIAL REF. TYPE 316/316L STAINLESS STEEL HEAT TREAT NONE FINISH NONE	<table border="1" style="width: 100%; border-collapse: collapse;"> <tr> <th>INITIALS</th> <th>DATE</th> </tr> <tr> <td>DRAWN: JP</td> <td>01 APR 22</td> </tr> <tr> <td>CHECKED: RNK</td> <td>04/01/2022</td> </tr> <tr> <td>ENG APPR: RNK</td> <td>04/01/2022</td> </tr> <tr> <td>MFG APPR:</td> <td></td> </tr> <tr> <td>QC APPR:</td> <td></td> </tr> </table>	INITIALS	DATE	DRAWN: JP	01 APR 22	CHECKED: RNK	04/01/2022	ENG APPR: RNK	04/01/2022	MFG APPR:		QC APPR:		<table border="1" style="width: 100%; border-collapse: collapse;"> <tr> <td colspan="2" style="text-align: center;">Belden Universal</td> </tr> <tr> <td colspan="2" style="text-align: center;">www.beldenuniversal.com</td> </tr> <tr> <td colspan="2">TITLE: ASSEMBLY, UNIVERSAL JOINT</td> </tr> <tr> <td>SIZE A</td> <td>DWG. NO. UJ-SS2000-316x00</td> </tr> <tr> <td>SCALE: 1:1</td> <td>WT (Lbs): 4.653</td> </tr> </table>	Belden Universal		www.beldenuniversal.com		TITLE: ASSEMBLY, UNIVERSAL JOINT		SIZE A	DWG. NO. UJ-SS2000-316x00	SCALE: 1:1	WT (Lbs): 4.653
	INITIALS	DATE																								
	DRAWN: JP	01 APR 22																								
	CHECKED: RNK	04/01/2022																								
ENG APPR: RNK	04/01/2022																									
MFG APPR:																										
QC APPR:																										
Belden Universal																										
www.beldenuniversal.com																										
TITLE: ASSEMBLY, UNIVERSAL JOINT																										
SIZE A	DWG. NO. UJ-SS2000-316x00																									
SCALE: 1:1	WT (Lbs): 4.653																									
ALL HOLES TO BE LOCATED ON CENTERLINE (L) WITHIN .005" T.I.R. INTERPRET GEOMETRIC TOLERANCES I.A.W. ASME Y14.5		COMMENTS:		REV A																						
SHEET 1 OF 2		SHEET 1 OF 2		SHEET 1 OF 2																						