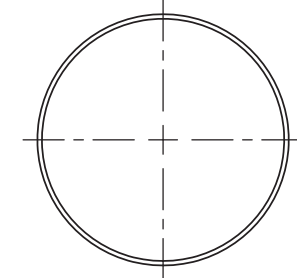
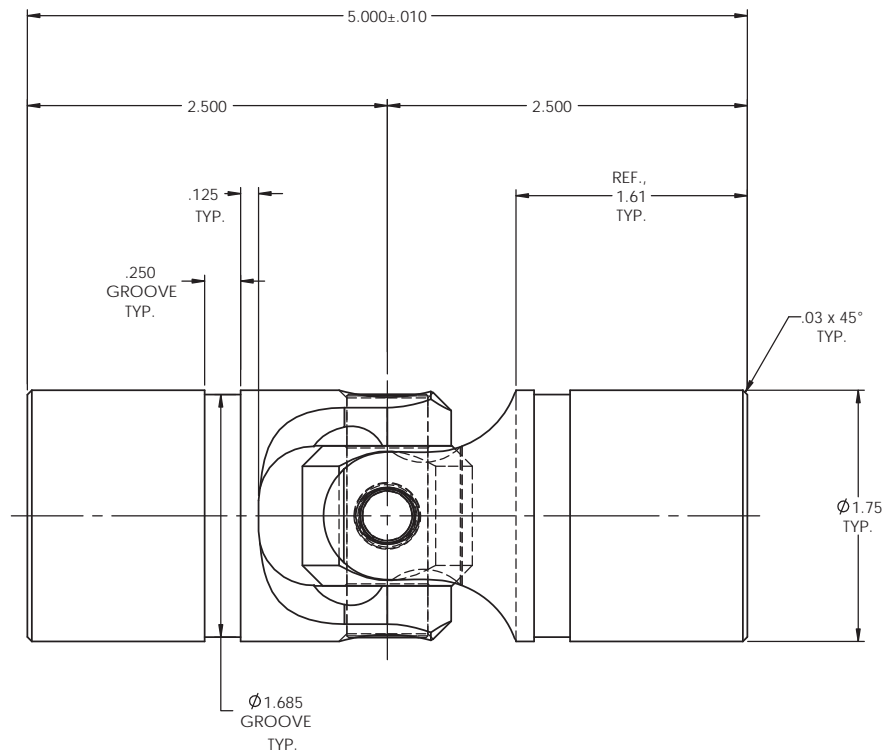
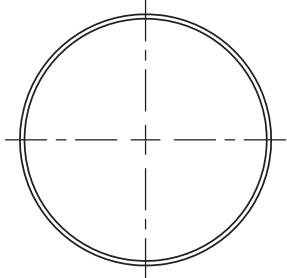


SCALE 1 : 1

# INFORMATION IN THIS DRAWING PROVIDED FOR REFERENCE ONLY

REVISIONS				
ZONE	REV.	DESCRIPTION	DATE	APPROVED



TYPICAL BOTH ENDS

NOTE(S), UNLESS OTHERWISE SPECIFIED.

- UNIVERSAL JOINT IS MARKED w/ "BELDEN" LOGO, PART NUMBER / DRAWING NUMBER, REVISION LEVEL (IF ANY), DATE OF MANUFACTURE (MO/YR), AND BELDEN JOB NUMBER.
- UNIVERSAL JOINT IS LUBRICATED w/ LUBRIPLATE 1200-2, NLGI GRADE 2, AW/EP, LITHIUM GREASE OR EQUIVALENT.
- UNIVERSAL JOINT IS CAPABLE OF OPERATING AT ANY ANGLE UP TO AND INCLUDING 45°.
- UNIVERSAL JOINT HAS STANDARD GROOVES TO ACCEPT INSTALLATION OF PROTECTIVE COVER (BOOT). BOOT AVAILABLE SEPARATELY. REFER TO BELDEN CATALOG, WEBSITE, OR CONTACT BELDEN SALES.
- REFER TO BELDEN CATALOG, WEBSITE, OR CONTACT BELDEN SALES FOR TORQUE CAPACITY.
- THIS DRAWING REPRESENTS A STANDARD BELDEN ITEM. CUSTOM UNIVERSAL JOINTS ARE AVAILABLE UPON REQUEST. PLEASE CONTACT BELDEN SALES.

**BELDEN PART NUMBER: UJ-SS1750x00**

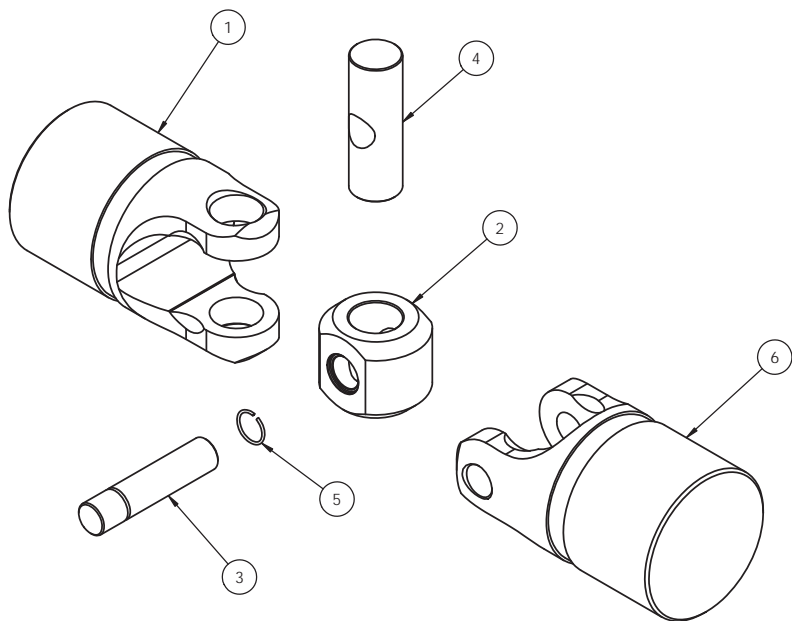
DO NOT SCALE DRAWING

UNLESS OTHERWISE SPECIFIED CHAMFER ALL HOLES BREAK ALL SHARP CORNERS DE-BURR ALL FEATURES  TURNED SURFACES: $\sqrt{63}$ MILLED SURFACES: $\sqrt{125}$  PROPRIETARY AND CONFIDENTIAL THE INFORMATION CONTAINED IN THIS DRAWING IS THE SOLE PROPERTY OF BELDEN INC. IN COPIES OR PARTS. ANY REPRODUCTION IN PART OR AS A WHOLE WITHOUT THE WRITTEN PERMISSION OF BELDEN INCORPORATED IS PROHIBITED.	STANDARD TOLERANCES, UNLESS OTHERWISE SPECIFIED  DIMENSIONS ARE IN INCHES [mm]	MATERIAL: STAINLESS STEEL  HEAT TREAT: SEE DETAIL DRAWINGS  FINISH: NONE	<table border="1"> <tr> <th>NAME</th> <th>DATE</th> </tr> <tr> <td>JP</td> <td>27APR12</td> </tr> <tr> <th>CHECKED</th> <th>DATE</th> </tr> <tr> <td>RNK</td> <td>27APR12</td> </tr> <tr> <th>ENG APPR.</th> <th>DATE</th> </tr> <tr> <td>RNK</td> <td>27APR12</td> </tr> <tr> <th>MFG APPR.</th> <th>DATE</th> </tr> <tr> <td> </td> <td> </td> </tr> <tr> <th>DATE</th> <th> </th> </tr> <tr> <td> </td> <td> </td> </tr> </table>	NAME	DATE	JP	27APR12	CHECKED	DATE	RNK	27APR12	ENG APPR.	DATE	RNK	27APR12	MFG APPR.	DATE			DATE				Belden Incorporated <a href="http://www.beldenuniversal.com">www.beldenuniversal.com</a>  TITLE: <b>ASSEMBLY, UNIVERSAL JOINT</b>
	NAME	DATE																						
	JP	27APR12																						
	CHECKED	DATE																						
RNK	27APR12																							
ENG APPR.	DATE																							
RNK	27APR12																							
MFG APPR.	DATE																							
DATE																								
ANGULAR MACHINED: ±1.0° FRACTIONAL: ±.015" TWO PLACE DECIMAL: ±.010" THREE PLACE DECIMAL: ±.005" FOUR PLACE DECIMAL: ±.0005" CONCENTRICITY: .0025" T.I.R.	ALL HOLES TO BE LOCATED ON CENTERLINE (C) WITHIN .005" T.I.R. INTERPRET GEOMETRIC TOLERANCES I.A.W. ANSI Y14.5M-1992	SIZE: <b>C</b> DWG. NO.: UJ-SS1750x00 SCALE: 1.5:1 WT (Lbs): 2.964 SHEET 1 OF 2	REV:																					

BOM Table			
ITEM NO.	PART NUMBER	DESCRIPTION	QTY.
1	SSY1750LHx00	YOKE, LARGE HOLE	1
2	SS1750-2A	BLOCK	1
3	SS1750-3A	SMALL PIN	1
4	SS1750-5A	LARGE PIN	1
5	SS1750-6A	RETAINING RING, STAINLESS STEEL	1
6	SSY1750SHx00	YOKE, SMALL HOLE	1

REVISIONS				
ZONE	REV.	DESCRIPTION	DATE	APPROVED
-	-	See Sheet1	-	-

INFORMATION IN THIS DRAWING  
PROVIDED FOR REFERENCE ONLY



DO NOT SCALE DRAWING

UNLESS OTHERWISE SPECIFIED CHAMFER ALL HOLES BREAK ALL SHARP CORNERS DE-BURR ALL FEATURES  TURNED SURFACES: $\sqrt{63}$ MILLED SURFACES: $\sqrt{125}$  PROPRIETARY AND CONFIDENTIAL THE INFORMATION CONTAINED IN THIS DRAWING IS THE SOLE PROPERTY OF BELDEN INCORPORATED. ANY REPRODUCTION IN PART OR AS A WHOLE WITHOUT THE WRITTEN PERMISSION OF BELDEN INCORPORATED IS PROHIBITED.	STANDARD TOLERANCES, UNLESS OTHERWISE SPECIFIED  DIMENSIONS ARE IN INCHES (mm)  ANGULAR MACHINED: $\pm 1.0^\circ$ FRACTIONAL: $\pm 0.015$ TWO PLACE DECIMAL: $\pm 0.010$ THREE PLACE DECIMAL: $\pm 0.005$ FOUR PLACE DECIMAL: $\pm 0.0005$ CONCENTRICITY: 0.0025 T.I.R.	MATERIAL STAINLESS STEEL  HEAT TREAT SEE DETAIL DRAWINGS  FINISH NONE	<table border="1"> <tr> <th>NAME</th> <th>DATE</th> </tr> <tr> <td>JP</td> <td>27APR12</td> </tr> <tr> <th>CHECKED</th> <th>DATE</th> </tr> <tr> <td>RNK</td> <td>27APR12</td> </tr> <tr> <th>ENG APPR.</th> <th></th> </tr> <tr> <td>RNK</td> <td>27APR12</td> </tr> <tr> <th>MFG APPR.</th> <th></th> </tr> <tr> <td></td> <td></td> </tr> <tr> <th>DATE</th> <th></th> </tr> <tr> <td></td> <td></td> </tr> <tr> <th colspan="2">COMMENTS:</th> </tr> <tr> <td></td> <td></td> </tr> </table>	NAME	DATE	JP	27APR12	CHECKED	DATE	RNK	27APR12	ENG APPR.		RNK	27APR12	MFG APPR.				DATE				COMMENTS:				Belden Incorporated <a href="http://www.beldenuniversal.com">www.beldenuniversal.com</a>  TITLE: <b>ASSEMBLY,          UNIVERSAL JOINT</b>
	NAME	DATE																										
	JP	27APR12																										
	CHECKED	DATE																										
RNK	27APR12																											
ENG APPR.																												
RNK	27APR12																											
MFG APPR.																												
DATE																												
COMMENTS:																												
	ALL HOLES TO BE LOCATED ON CENTERLINE (C) WITHIN 0.005" T.I.R. INTERPRET GEOMETRIC TOLERANCES I.A.W. ANSI Y14.5M-1992		SIZE <b>C</b>	DWG. NO. <b>UJ-SS1750x00</b>	REV																							
			SCALE: 1:1   WT (Lbs): 2.964   SHEET 2 OF 2																									