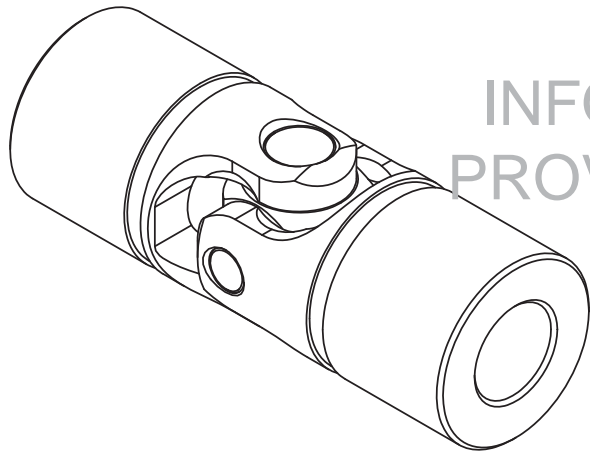
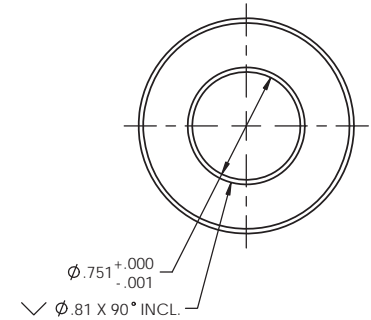
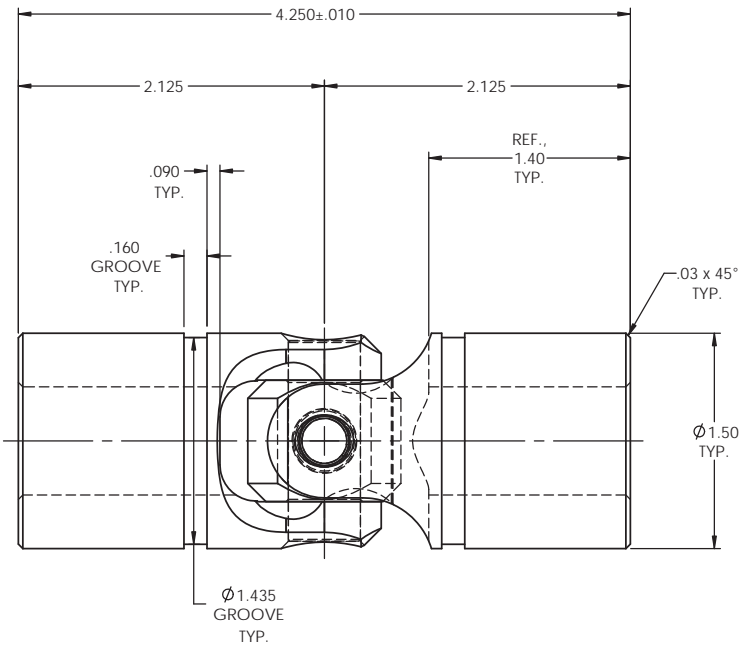


INFORMATION IN THIS DRAWING
PROVIDED FOR REFERENCE ONLY



REVISIONS				
ZONE	REV.	DESCRIPTION	DATE	APPROVED



TYPICAL BOTH ENDS

NOTE(S), UNLESS OTHERWISE SPECIFIED.

- (1) UNIVERSAL JOINT IS MARKED w/ "BELDEN" LOGO, PART NUMBER / DRAWING NUMBER, REVISION LEVEL (IF ANY), DATE OF MANUFACTURE (MO/YR), AND BELDEN JOB NUMBER.
- (2) UNIVERSAL JOINT IS LUBRICATED w/ LUBRIPLATE 1200-2, NLGI GRADE 2, AW/EP, LITHIUM GREASE OR EQUIVALENT.
- (3) UNIVERSAL JOINT IS CAPABLE OF OPERATING AT ANY ANGLE UP TO AND INCLUDING 45°.
- (4) UNIVERSAL JOINT HAS STANDARD GROOVES TO ACCEPT INSTALLATION OF PROTECTIVE COVER (BOOT). BOOT AVAILABLE SEPARATELY. REFER TO BELDEN CATALOG, WEBSITE, OR CONTACT BELDEN SALES.
- (5) REFER TO BELDEN CATALOG, WEBSITE, OR CONTACT BELDEN SALES FOR TORQUE CAPACITY.
- (6) THIS DRAWING REPRESENTS A STANDARD BELDEN ITEM. CUSTOM UNIVERSAL JOINTS ARE AVAILABLE UPON REQUEST. PLEASE CONTACT BELDEN SALES.

BELDEN PART NUMBER: UJ-SS1500x750

DO NOT SCALE DRAWING

UNLESS OTHERWISE SPECIFIED CHAMFER ALL HOLES BREAK ALL SHARP CORNERS DE-BURR ALL FEATURES TURNED SURFACES: $\sqrt{.63}$ MILLED SURFACES: $\sqrt{.125}$ PROPRIETARY AND CONFIDENTIAL THE INFORMATION CONTAINED IN THIS DRAWING IS THE SOLE PROPERTY OF BELDEN INCORPORATED. ANY REPRODUCTION IN PART OR AS A WHOLE WITHOUT THE WRITTEN PERMISSION OF BELDEN INCORPORATED IS PROHIBITED.	STANDARD TOLERANCES, UNLESS OTHERWISE SPECIFIED DIMENSIONS ARE IN INCHES [mm]	MATERIAL: STAINLESS STEEL HEAT TREAT: SEE DETAIL DRAWINGS FINISH: NONE	<table border="1"> <tr> <th>NAME</th> <th>DATE</th> </tr> <tr> <td>RNK</td> <td>24 JUL 07</td> </tr> <tr> <th>CHECKED</th> <td>RNK 24 JUL 07</td> </tr> <tr> <th>ENG APPR.</th> <td>RNK 24 JUL 07</td> </tr> <tr> <th>MFG APPR.</th> <td> </td> </tr> <tr> <th>D/A</th> <td> </td> </tr> </table>	NAME	DATE	RNK	24 JUL 07	CHECKED	RNK 24 JUL 07	ENG APPR.	RNK 24 JUL 07	MFG APPR.		D/A		Belden Incorporated www.beldenuniversal.com TITLE: ASSEMBLY, UNIVERSAL JOINT SIZE: C DWG. NO.: UJ-SS1500x750 SCALE: 3:2 WT (Lbs): 1.516 SHEET 1 OF 2
	NAME	DATE														
	RNK	24 JUL 07														
	CHECKED	RNK 24 JUL 07														
ENG APPR.	RNK 24 JUL 07															
MFG APPR.																
D/A																
ANGULAR MACHINED: $\pm 1.0^\circ$ FRACTIONAL: $\pm .015$ TWO PLACE DECIMAL: $\pm .010$ THREE PLACE DECIMAL: $\pm .005$ FOUR PLACE DECIMAL: $\pm .0005$ CONCENTRICITY: .0025 T.I.R.	ALL HOLES TO BE LOCATED ON CENTERLINE (C) WITHIN .005" T.I.R. INTERPRET GEOMETRIC TOLERANCES I.A.W. ANSI Y14.5M-1992	COMMENTS:	REV:	SHEET 1 OF 2												
UNLESS OTHERWISE SPECIFIED CHAMFER ALL HOLES BREAK ALL SHARP CORNERS DE-BURR ALL FEATURES TURNED SURFACES: $\sqrt{.63}$ MILLED SURFACES: $\sqrt{.125}$ PROPRIETARY AND CONFIDENTIAL THE INFORMATION CONTAINED IN THIS DRAWING IS THE SOLE PROPERTY OF BELDEN INCORPORATED. ANY REPRODUCTION IN PART OR AS A WHOLE WITHOUT THE WRITTEN PERMISSION OF BELDEN INCORPORATED IS PROHIBITED.	STANDARD TOLERANCES, UNLESS OTHERWISE SPECIFIED DIMENSIONS ARE IN INCHES [mm]	MATERIAL: STAINLESS STEEL HEAT TREAT: SEE DETAIL DRAWINGS FINISH: NONE	<table border="1"> <tr> <th>NAME</th> <th>DATE</th> </tr> <tr> <td>RNK</td> <td>24 JUL 07</td> </tr> <tr> <th>CHECKED</th> <td>RNK 24 JUL 07</td> </tr> <tr> <th>ENG APPR.</th> <td>RNK 24 JUL 07</td> </tr> <tr> <th>MFG APPR.</th> <td> </td> </tr> <tr> <th>D/A</th> <td> </td> </tr> </table>	NAME	DATE	RNK	24 JUL 07	CHECKED	RNK 24 JUL 07	ENG APPR.	RNK 24 JUL 07	MFG APPR.		D/A		Belden Incorporated www.beldenuniversal.com TITLE: ASSEMBLY, UNIVERSAL JOINT SIZE: C DWG. NO.: UJ-SS1500x750 SCALE: 3:2 WT (Lbs): 1.516 SHEET 1 OF 2
NAME	DATE															
RNK	24 JUL 07															
CHECKED	RNK 24 JUL 07															
ENG APPR.	RNK 24 JUL 07															
MFG APPR.																
D/A																
UNLESS OTHERWISE SPECIFIED CHAMFER ALL HOLES BREAK ALL SHARP CORNERS DE-BURR ALL FEATURES TURNED SURFACES: $\sqrt{.63}$ MILLED SURFACES: $\sqrt{.125}$ PROPRIETARY AND CONFIDENTIAL THE INFORMATION CONTAINED IN THIS DRAWING IS THE SOLE PROPERTY OF BELDEN INCORPORATED. ANY REPRODUCTION IN PART OR AS A WHOLE WITHOUT THE WRITTEN PERMISSION OF BELDEN INCORPORATED IS PROHIBITED.	STANDARD TOLERANCES, UNLESS OTHERWISE SPECIFIED DIMENSIONS ARE IN INCHES [mm]	MATERIAL: STAINLESS STEEL HEAT TREAT: SEE DETAIL DRAWINGS FINISH: NONE	<table border="1"> <tr> <th>NAME</th> <th>DATE</th> </tr> <tr> <td>RNK</td> <td>24 JUL 07</td> </tr> <tr> <th>CHECKED</th> <td>RNK 24 JUL 07</td> </tr> <tr> <th>ENG APPR.</th> <td>RNK 24 JUL 07</td> </tr> <tr> <th>MFG APPR.</th> <td> </td> </tr> <tr> <th>D/A</th> <td> </td> </tr> </table>	NAME	DATE	RNK	24 JUL 07	CHECKED	RNK 24 JUL 07	ENG APPR.	RNK 24 JUL 07	MFG APPR.		D/A		Belden Incorporated www.beldenuniversal.com TITLE: ASSEMBLY, UNIVERSAL JOINT SIZE: C DWG. NO.: UJ-SS1500x750 SCALE: 3:2 WT (Lbs): 1.516 SHEET 1 OF 2
NAME	DATE															
RNK	24 JUL 07															
CHECKED	RNK 24 JUL 07															
ENG APPR.	RNK 24 JUL 07															
MFG APPR.																
D/A																