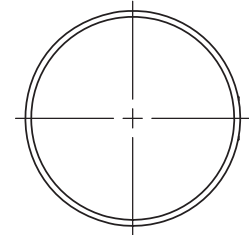
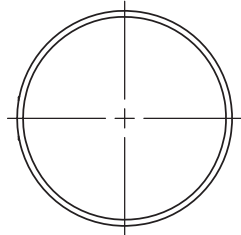
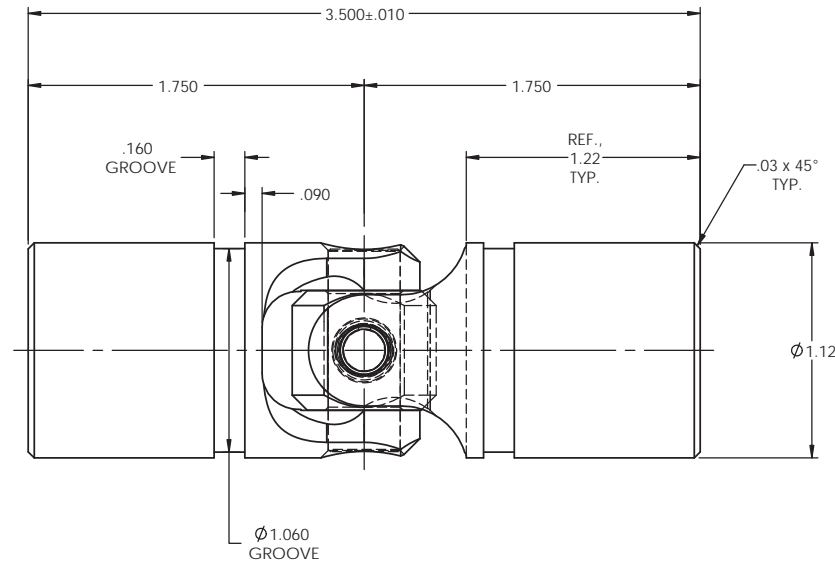
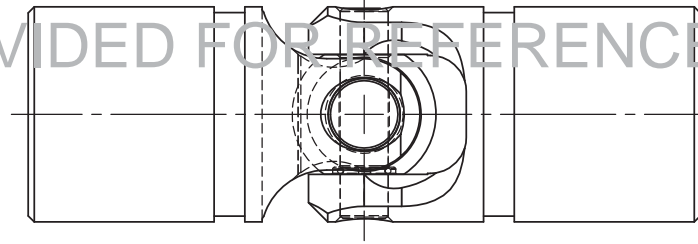


REVISIONS				
ZONE	REV.	DESCRIPTION	DATE	APPROVED

INFORMATION IN THIS DRAWING  
PROVIDED FOR REFERENCE ONLY



NOTE(s), UNLESS OTHERWISE SPECIFIED.

- (1) UNIVERSAL JOINT IS MARKED w/ "BELDEN" LOGO, PART NUMBER / DRAWING NUMBER, REVISION LEVEL (IF ANY), DATE OF MANUFACTURE (MO/YR), AND BELDEN JOB NUMBER.
- (2) UNIVERSAL JOINT IS LUBRICATED w/ LUBRIPLATE 1200-2, NLGI GRADE 2, AW/EP, LITHIUM GREASE OR EQUIVALENT.
- (3) UNIVERSAL JOINT IS CAPABLE OF OPERATING AT ANY ANGLE UP TO AND INCLUDING 45°.
- (4) UNIVERSAL JOINT HAS STANDARD GROOVES TO ACCEPT INSTALLATION OF PROTECTIVE COVER (BOOT). BOOT AVAILABLE SEPARATELY. REFER TO BELDEN CATALOG, WEBSITE, OR CONTACT BELDEN SALES.
- (5) REFER TO BELDEN CATALOG, WEBSITE, OR CONTACT BELDEN SALES FOR TORQUE CAPACITY.
- (6) THIS DRAWING REPRESENTS A STANDARD BELDEN ITEM. CUSTOM UNIVERSAL JOINTS ARE AVAILABLE UPON REQUEST. PLEASE CONTACT BELDEN SALES.

**BELDEN PART NUMBER: UJ-SS1125x00**

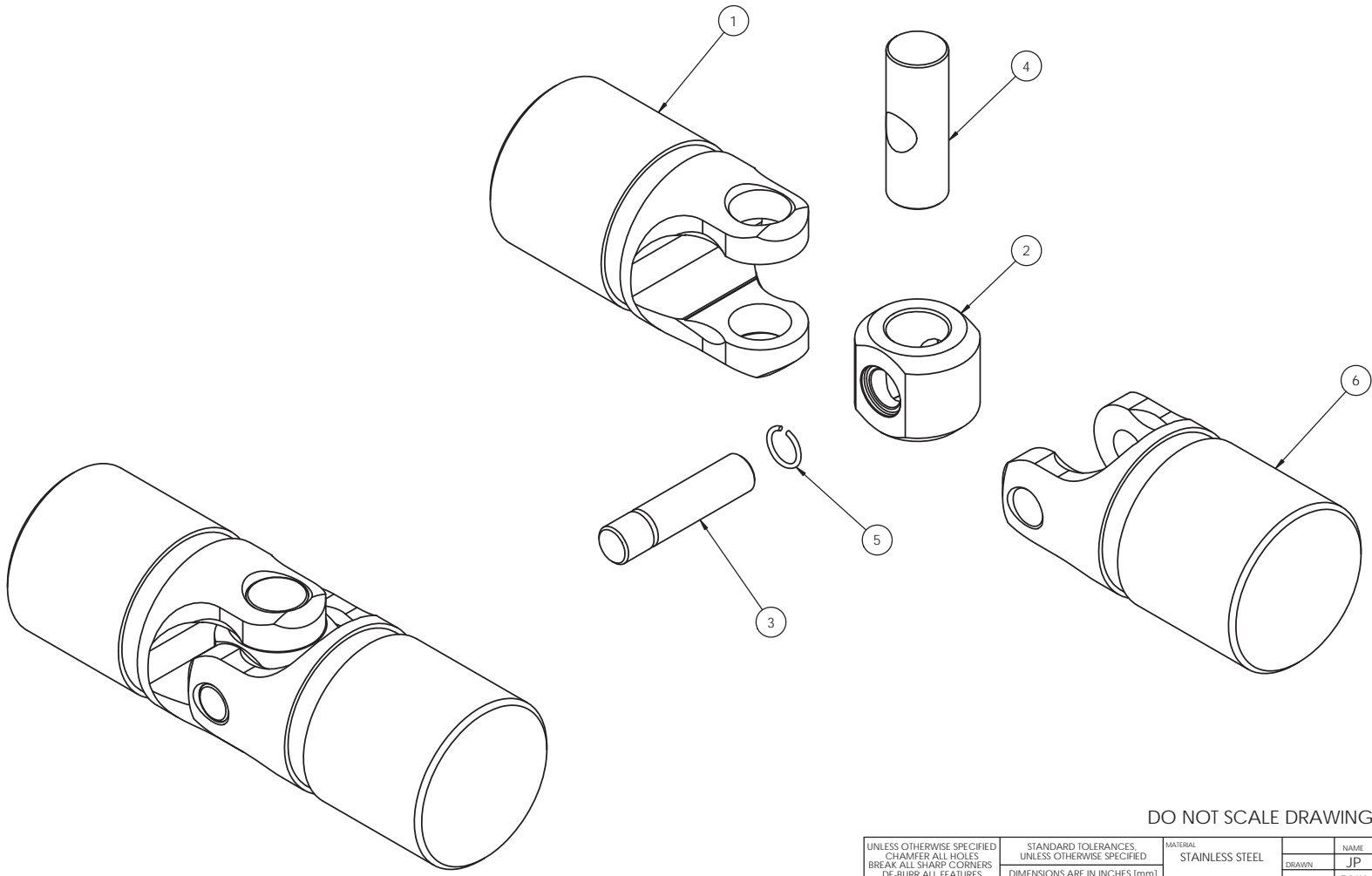
DO NOT SCALE DRAWING

UNLESS OTHERWISE SPECIFIED CHAMFER ALL HOLES BREAK ALL SHARP CORNERS DE-BURR ALL FEATURES TURNED SURFACES: $\sqrt{63}$ MILLED SURFACES: $\sqrt{125}$ PROPRIETARY AND CONFIDENTIAL THE INFORMATION CONTAINED IN THIS DRAWING IS THE SOLE PROPERTY OF BELDEN INCORPORATED. ANY REPRODUCTION IN PART OR AS A WHOLE WITHOUT THE WRITTEN PERMISSION OF BELDEN INCORPORATED IS PROHIBITED.	STANDARD TOLERANCES, UNLESS OTHERWISE SPECIFIED DIMENSIONS ARE IN INCHES [mm]	MATERIAL: STAINLESS STEEL HEAT TREAT: SEE DETAIL DRAWINGS FINISH: NONE	NAME: JP DATE: 27APR12 CHECKED: RNK 24JUL12 ENG APPR: RNK MFG APPR: DATE: COMMENTS:	Belden Incorporated <a href="http://www.beldenuniversal.com">www.beldenuniversal.com</a> TITLE: ASSEMBLY, UNIVERSAL JOINT	
	ANGULAR MACHINED: $\pm 1.0^\circ$ FRACTIONAL: $\pm 0.015$ TWO PLACE DECIMAL: $\pm 0.010$ THREE PLACE DECIMAL: $\pm 0.005$ FOUR PLACE DECIMAL: $\pm 0.0005$ CONCENTRICITY: $0.0025$ T.I.R.	ALL HOLES TO BE LOCATED ON CENTERLINE (C) WITHIN .005" T.I.R. INTERPRET GEOMETRIC TOLERANCES I.A.W. ANSI Y14.5M-1992	SIZE: C DWG. NO.: UJ-SS1125x00 SCALE: 2:1   WT (Lbs): 0.875   SHEET 1 OF 2	REV:	

BOM Tab				
ITEM NO.	PART NUMBER	DESCRIPTION	Material	QTY.
1	SSY1125LHx00	YOKE, LARGE HOLE	TYPE 303 STAINLESS STEEL	1
2	SS1125-2A	BLOCK	TYPE 416 STAINLESS STEEL	1
3	SS1125-3A	SMALL PIN	TYPE 416 STAINLESS STEEL	1
4	SS1125-5A	LARGE PIN	TYPE 416 STAINLESS STEEL	1
5	SS1125-6A	RETAINING RING	REF., TYPE 302 STAINLESS STEEL	1
6	SSY1125SHx00	YOKE, SMALL HOLE	TYPE 303 STAINLESS STEEL	1

REVISIONS				
ZONE	REV.	DESCRIPTION	DATE	APPROVED
-	-	See Sheet1	-	-

INFORMATION IN THIS DRAWING  
PROVIDED FOR REFERENCE ONLY



DO NOT SCALE DRAWING

UNLESS OTHERWISE SPECIFIED CHAMFER ALL HOLES BREAK ALL SHARP CORNERS DE-BURR ALL FEATURES  TURNED SURFACES: $\sqrt{6.3}$ MILLED SURFACES: $\sqrt{125}$  PROPRIETARY AND CONFIDENTIAL THE INFORMATION CONTAINED IN THIS DRAWING IS THE SOLE PROPERTY OF BELDEN INCORPORATED OR ITS AFFILIATES. REPRODUCTION IN PART OR AS A WHOLE WITHOUT THE WRITTEN PERMISSION OF BELDEN INCORPORATED IS PROHIBITED.	STANDARD TOLERANCES, UNLESS OTHERWISE SPECIFIED  DIMENSIONS ARE IN INCHES (mm)	MATERIAL STAINLESS STEEL	NAME JP	DATE 27APR12	Belden Incorporated <a href="http://www.beldenuniversal.com">www.beldenuniversal.com</a>  TITLE: <b>ASSEMBLY,          UNIVERSAL JOINT</b>	
	ANGULAR MACHINED: $\pm 1.0^\circ$ FRACTIONAL: $\pm 0.15$ TWO PLACE DECIMAL: $\pm 0.10$ THREE PLACE DECIMAL: $\pm 0.05$ FOUR PLACE DECIMAL: $\pm 0.005$ CONCENTRICITY: $0.003$ T.I.R.	HEAT TREAT SEE DETAIL DRAWINGS	CHECKED RNK	DATE 24JUL12		SIZE <b>C</b>
	ALL HOLES TO BE LOCATED ON CENTERLINE (C) WITHIN .005" T.I.R. INTERPRET GEOMETRIC TOLERANCES I.A.W. ANSI Y14.5M-1992	FINISH NONE	ENG APPR. RNK	DATE 24JUL12		DWG. NO. <b>UJ-SS1125x00</b>
			MFG APPR.			REV
		COMMENTS:			SCALE: 2:1 WT (Lbs): 0.875 SHEET 2 OF 2	