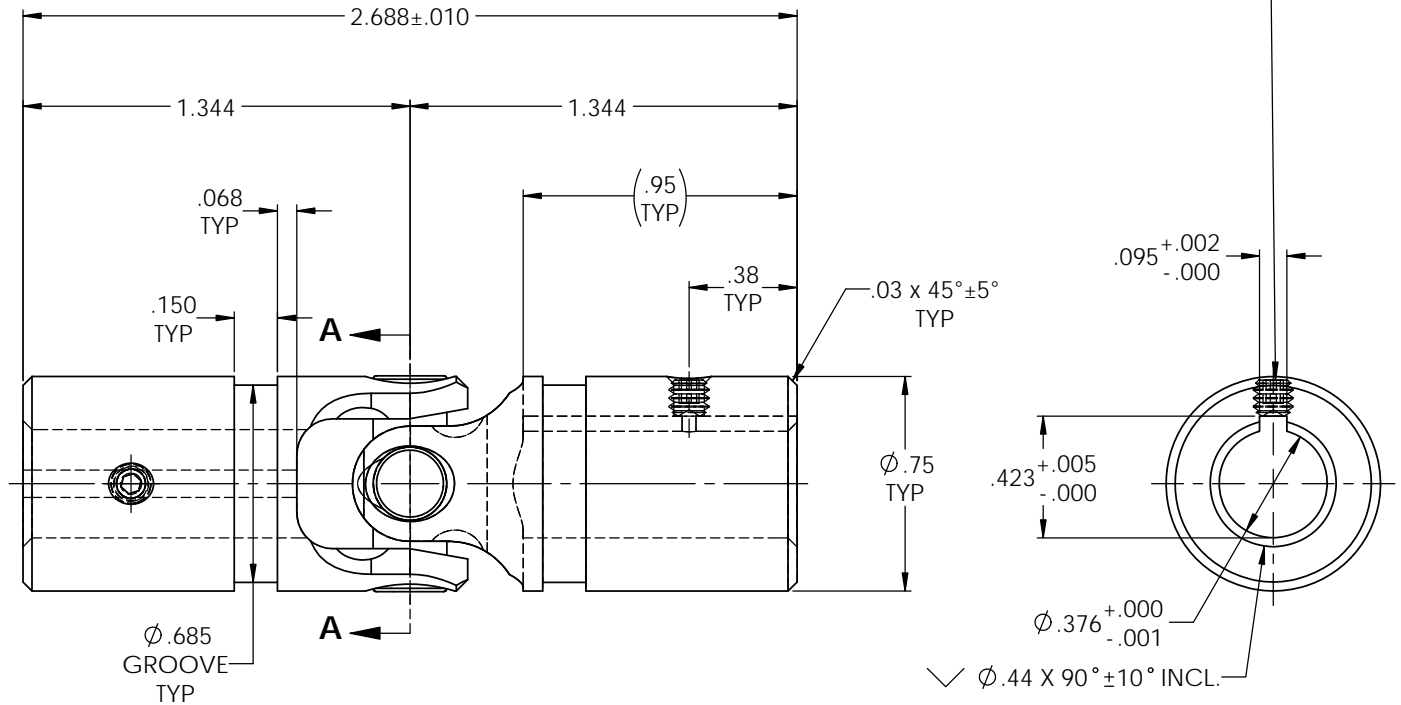
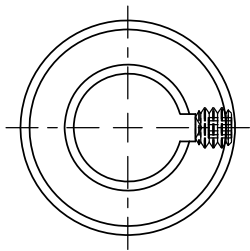


SECTION A-A

INFORMATION IN THIS DRAWING  
PROVIDED FOR REFERENCE ONLY

SCALE 2 : 1

SOCKET SET SCREW, #6-32 x 1/8, STAINLESS STEEL 2X



BELDEN PART NUMBER: UJ-NB750x375K

TYPICAL BOTH ENDS

NOTE(S), UNLESS OTHERWISE SPECIFIED.

- (1) UNIVERSAL JOINT IS MARKED w/ "BELDEN" LOGO, PART NUMBER / DRAWING NUMBER, REVISION LEVEL (IF ANY), DATE OF MANUFACTURE (MO/YR), AND BELDEN JOB NUMBER.
- (2) UNIVERSAL JOINT IS LUBRICATED w/ TRIBOLUBE 12, NLGI GRADE 2, MULTI-PURPOSE SYNTHETIC GREASE.
- (3) UNIVERSAL JOINT IS CAPABLE OF OPERATING AT ANY ANGLE UP TO AND INCLUDING 45°, 90° FOR THE DOUBLE UNIVERSAL JOINT.
- (4) UNIVERSAL JOINT HAS STANDARD GROOVES TO ACCEPT INSTALLATION OF PROTECTIVE COVERS (BOOTS). BOOTS AVAILABLE SEPARATELY. REFER TO BELDEN CATALOG, WEBSITE, OR CONTACT BELDEN SALES.
- (5) REFER TO BELDEN CATALOG, WEBSITE, OR CONTACT BELDEN SALES FOR TORQUE CAPACITY.
- (6) THIS DRAWING REPRESENTS A STANDARD BELDEN ITEM. CUSTOM UNIVERSAL JOINTS ARE AVAILABLE UPON REQUEST. PLEASE CONTACT BELDEN SALES.

DO NOT SCALE DRAWING

UNLESS OTHERWISE SPECIFIED CHAMFER ALL HOLES BREAK ALL SHARP CORNERS DE-BURR ALL FEATURES TURNED SURFACES: $\frac{63}{125}$ MILLED SURFACES: $\frac{125}{125}$ PROPRIETARY AND CONFIDENTIAL THE INFORMATION CONTAINED IN THIS DRAWING IS THE SOLE PROPERTY OF BELDEN UNIVERSAL. ANY REPRODUCTION IN PART OR AS A WHOLE WITHOUT THE WRITTEN PERMISSION OF BELDEN UNIVERSAL IS PROHIBITED.	STANDARD TOLERANCES, UNLESS OTHERWISE SPECIFIED DIMENSIONS ARE IN INCHES [mm] FRACTIONAL: $\pm 1.0^\circ$ TWO PLACE DECIMAL: $\pm 0.15^\circ$ THREE PLACE DECIMAL: $\pm 0.05^\circ$ FOUR PLACE DECIMAL: $\pm 0.005^\circ$ CONCENTRICITY: $0.003^\circ$ T.I.R.	MATERIAL: ALLOY STEEL HEAT TREAT: N/A FINISH: NONE	INITIALS: JP DATE: 18MAR19	Belden Incorporated <a href="http://www.beldenuniversal.com">www.beldenuniversal.com</a>
	ANGULAR MACHINED: $\pm 1.0^\circ$ FRACTIONAL: $\pm 0.15^\circ$ TWO PLACE DECIMAL: $\pm 0.10^\circ$ THREE PLACE DECIMAL: $\pm 0.05^\circ$ FOUR PLACE DECIMAL: $\pm 0.005^\circ$ CONCENTRICITY: $0.003^\circ$ T.I.R.	CHECKED: JMH ENG APPR: [ ] MFG APPR: [ ] QC APPR: [ ]	TITLE: <b>ASSEMBLY, NEEDLE BEARING UNIVERSAL JOINT</b>	SIZE: A DWG. NO.: UJ-NB750x375K SCALE: 3:1 WT (Lbs): 0.210 SHEET 1 OF 2
	ALL HOLES TO BE LOCATED ON CENTERLINE (C) WITHIN .005" T.I.R. INTERPRET GEOMETRIC TOLERANCES I.A.W. ASME Y14.5	COMMENTS:	REV:	REV:
	UNLESS OTHERWISE SPECIFIED CHAMFER ALL HOLES BREAK ALL SHARP CORNERS DE-BURR ALL FEATURES TURNED SURFACES: $\frac{63}{125}$ MILLED SURFACES: $\frac{125}{125}$ PROPRIETARY AND CONFIDENTIAL THE INFORMATION CONTAINED IN THIS DRAWING IS THE SOLE PROPERTY OF BELDEN UNIVERSAL. ANY REPRODUCTION IN PART OR AS A WHOLE WITHOUT THE WRITTEN PERMISSION OF BELDEN UNIVERSAL IS PROHIBITED.	STANDARD TOLERANCES, UNLESS OTHERWISE SPECIFIED DIMENSIONS ARE IN INCHES [mm] FRACTIONAL: $\pm 1.0^\circ$ TWO PLACE DECIMAL: $\pm 0.15^\circ$ THREE PLACE DECIMAL: $\pm 0.05^\circ$ FOUR PLACE DECIMAL: $\pm 0.005^\circ$ CONCENTRICITY: $0.003^\circ$ T.I.R.	MATERIAL: ALLOY STEEL HEAT TREAT: N/A FINISH: NONE	INITIALS: JP DATE: 18MAR19