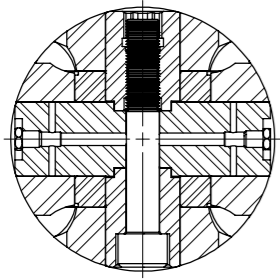


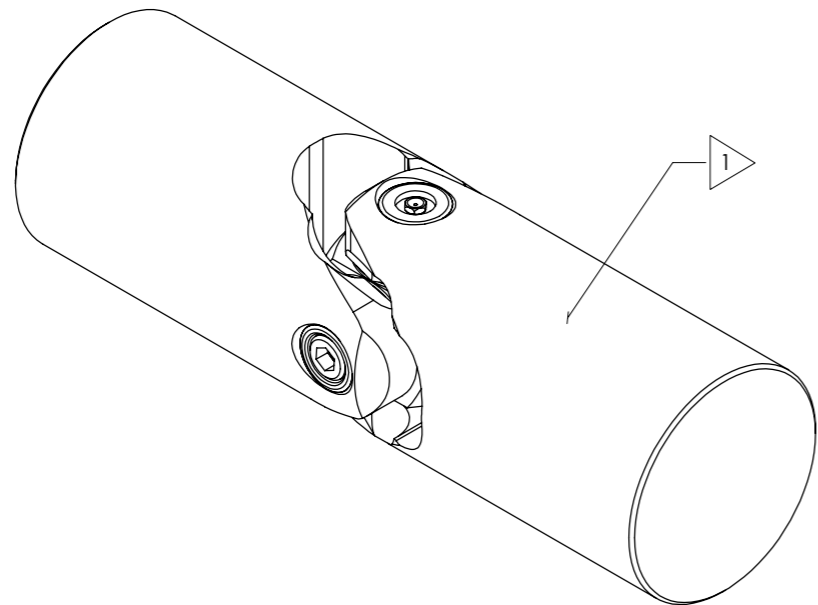
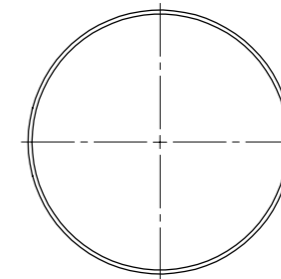
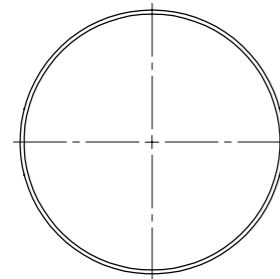
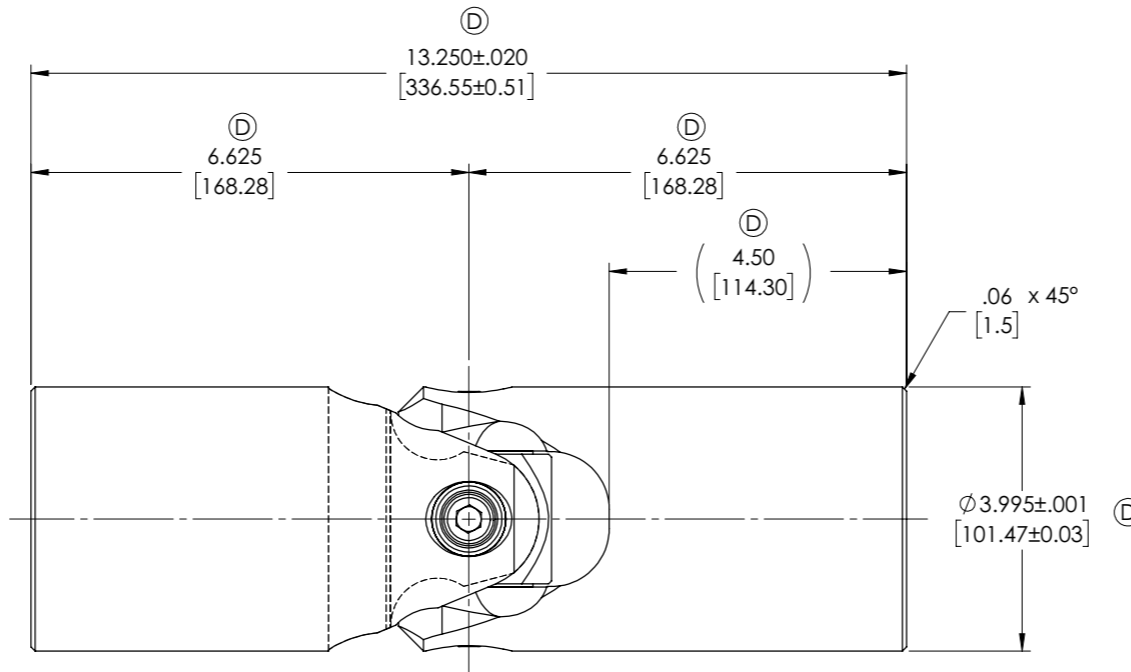
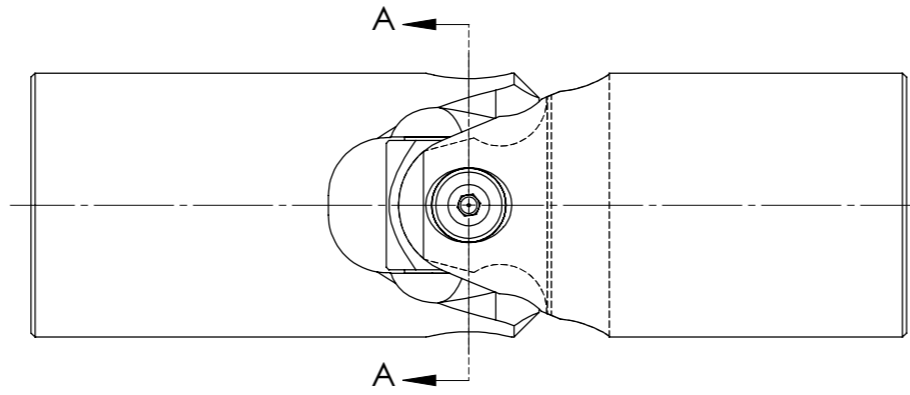
APPROVED

REVISIONS				
ZONE	REV.	DESCRIPTION	DATE	APPROVED

INFORMATION IN THIS DRAWING PROVIDED FOR REFERENCE ONLY



SECTION A-A



NOTE(s), UNLESS OTHERWISE SPECIFIED.

- 1 MARK ASSEMBLY w/ "BELDEN" LOGO, PART NUMBER, REVISION LEVEL, DATE OF MANUFACTURE (MO/YR) & BELDEN JOB NUMBER.
- (A) (D) (F) 2 CLEAN SOCKET HEAD CAP SCREW AND PIN w/ LOC-TITE PRIMER #17471. APPLY LOC-TITE #2760 THREADLOCKER TO THREADS OF SHCS & THREADED PIN. TAKE CARE TO KEEP THREADS FREE OF GREASE AND TORQUE 1/2-20 S.H.C.S. TO 120 FT-LBS.
- (3) LUBRICATE w/ LUBRIPLATE PRODUCT No. 3000 MOLY-LITHIUM, EXTREME PRESSURE, NLGI GRADE 2 GREASE OR EQUIVALENT.
- * RECOMMENDED LUBRICATION SERVICE INTERVALS: NORMAL ... EVERY 100 HRS.
CONTINUOUS ... EVERY 40 HRS.
EXTREME ... EVERY 8 HRS.
- (4) REFERENCE, UNIVERSAL JOINT CAPABLE OF OPERATING AT ANY ANGLE UP TO AND INCLUDING 20°.
- (5) STATIC BREAKING TORQUE: 250,000 IN-LBS (ESTIMATED).

DO NOT SCALE DRAWING

UNLESS OTHERWISE SPECIFIED CHAMFER ALL HOLES BREAK ALL SHARP CORNERS DE-BURR ALL FEATURES TURNED SURFACES: $\sqrt{63}$ MILLED SURFACES: $\sqrt{125}$ PROPRIETARY AND CONFIDENTIAL THE INFORMATION CONTAINED IN THIS DRAWING IS THE SOLE PROPERTY OF BELDEN UNIVERSAL. ANY REPRODUCTION IN PART OR AS A WHOLE WITHOUT THE WRITTEN PERMISSION OF BELDEN UNIVERSAL IS PROHIBITED.	STANDARD TOLERANCES, UNLESS OTHERWISE SPECIFIED DIMENSIONS ARE IN INCHES [mm]	MATERIAL ALLOY STEEL	INITIALS DRAWN: RNK CHECKED: RNK ENG APPR.: RNK MFG APPR.: QC APPR.:	DATE 13OCT00 13OCT00 13OCT00	Belden Universal www.beldenuniversal.com
	ANGULAR MACHINED: $\pm 1.0^\circ$ FRACTIONAL: $\pm .015$ TWO PLACE DECIMAL: $\pm .010$ THREE PLACE DECIMAL: $\pm .005$ FOUR PLACE DECIMAL: $\pm .0005$ CONCENTRICITY: $.0025$ T.I.R.	HEAT TREAT SEE DETAILS	COMMENTS:	TITLE: ASSEMBLY, UNIVERSAL JOINT	
	ALL HOLES TO BE LOCATED ON CENTERLINE (ϕ) WITHIN $.005$ T.I.R. INTERPRET GEOMETRIC TOLERANCES I.A.W. ASME Y14.5	FINISH NONE	SIZE A	DWG. NO. UJ-LV4000	REV F
	SCALE: 1:2 WT (Lbs): 41.401 SHEET 1 OF 2	COMMENTS:	SCALE: 1:2 WT (Lbs): 41.401 SHEET 1 OF 2	COMMENTS:	COMMENTS: