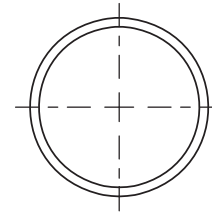
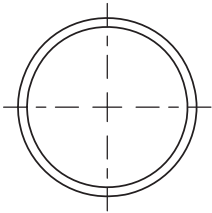
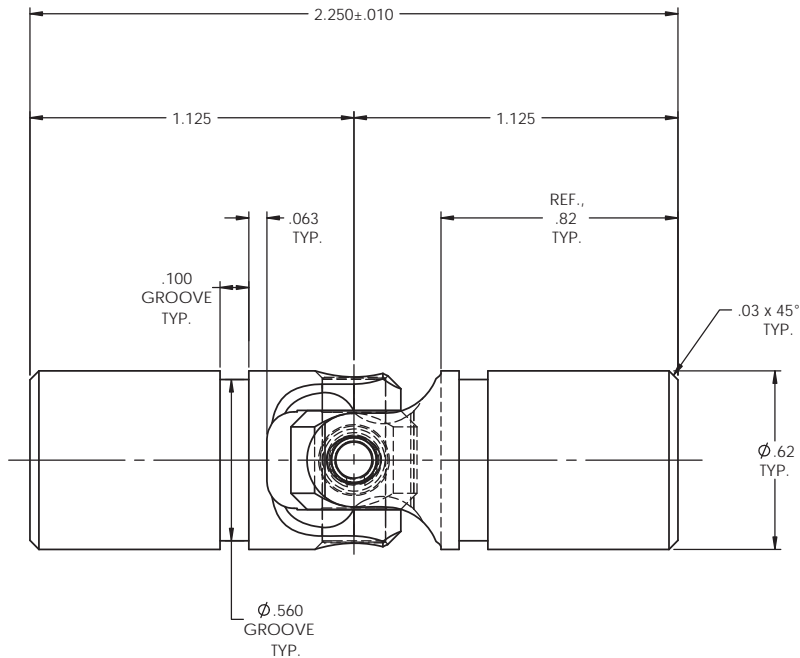


# INFORMATION IN THIS DRAWING PROVIDED FOR REFERENCE ONLY

REVISIONS				
ZONE	REV.	DESCRIPTION	DATE	APPROVED



NOTE(S), UNLESS OTHERWISE SPECIFIED.

- (1) UNIVERSAL JOINT IS MARKED w/ "BELDEN" LOGO, PART NUMBER / DRAWING NUMBER, REVISION LEVEL (IF ANY), DATE OF MANUFACTURE (MO/YR), AND BELDEN JOB NUMBER.
- (2) UNIVERSAL JOINT IS LUBRICATED w/ LUBRIPLATE 1200-2, NLGI GRADE 2, AW/EP, LITHIUM GREASE OR EQUIVALENT.
- (3) UNIVERSAL JOINT IS CAPABLE OF OPERATING AT ANY ANGLE UP TO AND INCLUDING 45°.
- (4) UNIVERSAL JOINT HAS STANDARD GROOVES TO ACCEPT INSTALLATION OF PROTECTIVE COVER (BOOT). BOOT AVAILABLE SEPARATELY. REFER TO BELDEN CATALOG, WEBSITE, OR CONTACT BELDEN SALES.
- (5) REFER TO BELDEN CATALOG, WEBSITE, OR CONTACT BELDEN SALES FOR TORQUE CAPACITY.
- (6) THIS DRAWING REPRESENTS A STANDARD BELDEN ITEM. CUSTOM UNIVERSAL JOINTS ARE AVAILABLE UPON REQUEST. PLEASE CONTACT BELDEN SALES.

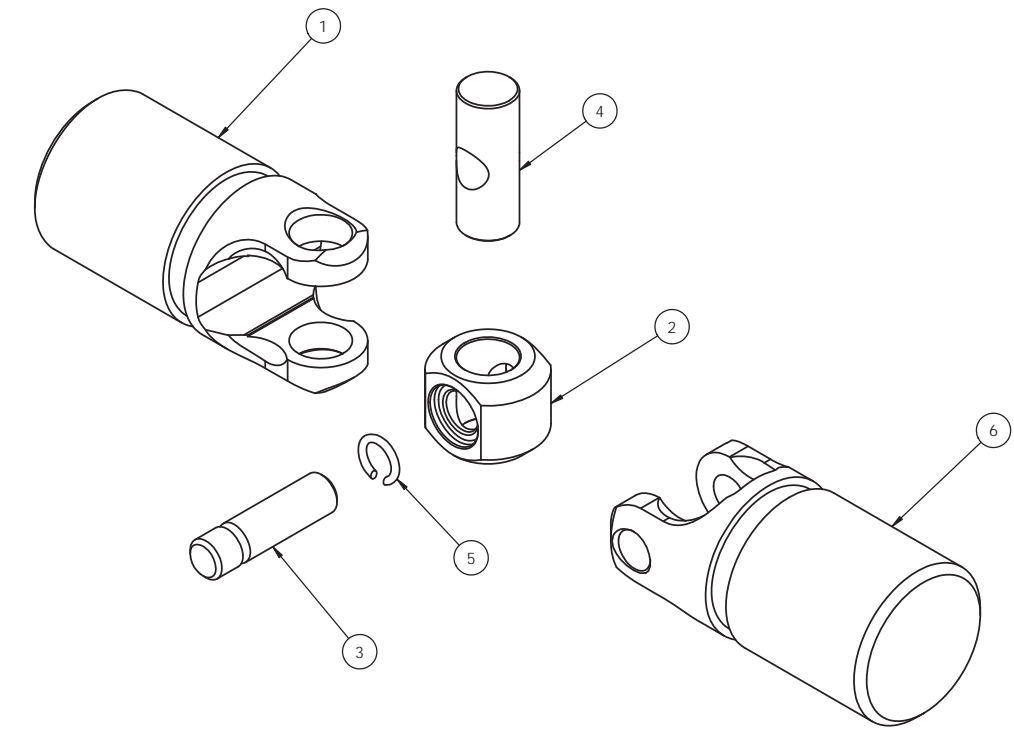
**BELDEN PART NUMBER: UJ-HD625x00**

DO NOT SCALE DRAWING

UNLESS OTHERWISE SPECIFIED CHAMFER ALL HOLES BREAK ALL SHARP CORNERS DE-BURR ALL FEATURES 65° TURNED SURFACES: ✓ 125° MILLED SURFACES: ✓ PROPRIETARY AND CONFIDENTIAL THE INFORMATION CONTAINED IN THIS DRAWING IS THE SOLE PROPERTY OF BELDEN INCORPORATED. ANY REPRODUCTION IN PART OR AS A WHOLE WITHOUT THE WRITTEN PERMISSION OF BELDEN INCORPORATED IS PROHIBITED.	STANDARD TOLERANCES, UNLESS OTHERWISE SPECIFIED DIMENSIONS ARE IN INCHES [mm]	MATERIAL ALLOY STEEL	NAME JP	DATE 23MAR12	Belden Incorporated www.beldenuniversal.com
	ANGULAR MACHINED: ±1.0° FRACTIONAL: ±.015" TWO PLACE DECIMAL: ±.010" THREE PLACE DECIMAL: ±.005" FOUR PLACE DECIMAL: ±.0005" CONCENTRICITY: .0025" T.I.R.	HEAT TREAT SEE DETAIL DRAWINGS	DRAWN RJK	16APR12	
	ALL HOLES TO BE LOCATED ON CENTERLINE (C) WITHIN .005" T.I.R. INTERPRET GEOMETRIC TOLERANCES I.A.W. ANSI Y14.5M-1992	FINISH NONE	ENG APPR. RNK	16APR12	SIZE C
			MFG APPR.		DWG. NO. UJ-HD625x00
			COMMENTS:		REV
					SCALE: 3:1   WT (Lbs): 0.167   SHEET 1 OF 2

BOM Table			
ITEM NO.	PART NUMBER	DESCRIPTION	UJ-HD625x00/QTY.
1	Y5S-LH	YOKE, LARGE HOLE	1
2	625-2A	BLOCK	1
3	625-3A	SMALL PIN	1
4	625-5A	LARGE PIN	1
5	625-6A	RETAINING RING	1
6	Y5S-SH	YOKE, SMALL HOLE	1

REVISIONS				
ZONE	REV.	DESCRIPTION	DATE	APPROVED
-	-	See Sheet1	-	-



INFORMATION IN THIS DRAWING PROVIDED FOR REFERENCE ONLY

DO NOT SCALE DRAWING

UNLESS OTHERWISE SPECIFIED CHAMFER ALL HOLES BREAK ALL SHARP CORNERS DE-BURR ALL FEATURES TURNED SURFACES: $\sqrt{63}$ MILLED SURFACES: $\sqrt{125}$ PROPRIETARY AND CONFIDENTIAL THE INFORMATION CONTAINED IN THIS DRAWING IS THE SOLE PROPERTY OF BELDEN INCORPORATED. ANY REPRODUCTION IN PART OR AS A WHOLE WITHOUT THE WRITTEN PERMISSION OF BELDEN INCORPORATED IS PROHIBITED.	STANDARD TOLERANCES, UNLESS OTHERWISE SPECIFIED DIMENSIONS ARE IN INCHES (mm)	MATERIAL: ALLOY STEEL HEAT TREAT: SEE DETAIL DRAWINGS FINISH: NONE	DRAWN: JP 23MAR12 CHECKED: RNK 16APR12 ENG APPR: RNK 16APR12 MFG APPR: QA: COMMENTS:	Belden Incorporated <a href="http://www.beldenuniversal.com">www.beldenuniversal.com</a> TITLE: ASSEMBLY, UNIVERSAL JOINT	
	ANGULAR MACHINED: $\pm 1.0^\circ$ FRACTIONAL: $\pm 0.15$ TWO PLACE DECIMAL: $\pm 0.10$ THREE PLACE DECIMAL: $\pm 0.05$ FOUR PLACE DECIMAL: $\pm 0.005$ CONCENTRICITY: 0.005 T.I.R.	ALL HOLES TO BE LOCATED ON CENTERLINE (C) WITHIN .005" T.I.R. INTERPRET GEOMETRIC TOLERANCES I.A.W. ANSI Y14.5M-1992	NAME: JP DATE: 23MAR12	SIZE: C DWG. NO.: UJ-HD625x00 SCALE: 3:1   WT (Lbs): 0.167   SHEET 2 OF 2	REV: