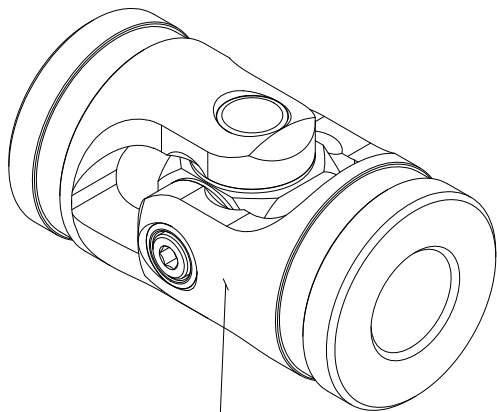


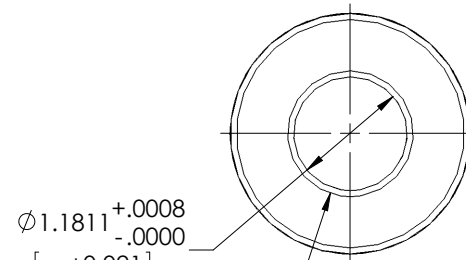
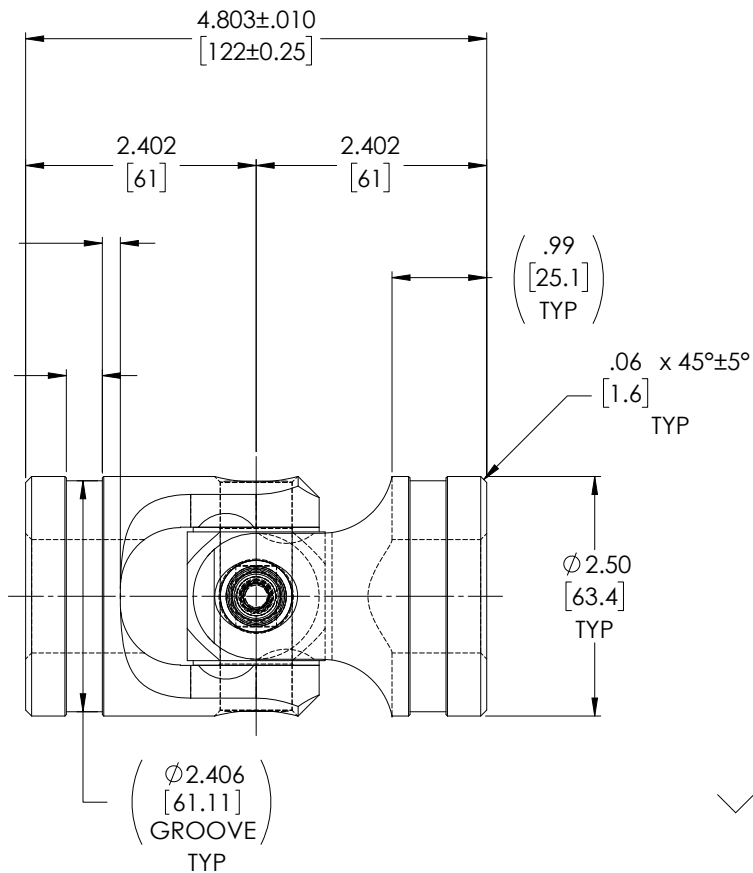
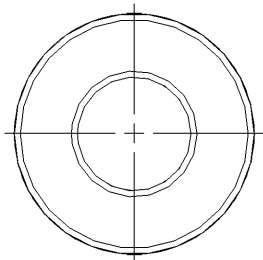
APPROVED

FOR REFERENCE ONLY

REVISIONS				
ZONE	REV.	DESCRIPTION	DATE	APPROVED
	A	INITIAL RELEASE	5/31/2019	JP



1



TYPICAL BOTH ENDS

NOTE(s), UNLESS OTHERWISE SPECIFIED.

1 MARK ASSEMBLY w/ "BELDEN" LOGO, PART NUMBER, REVISION LEVEL (IF ANY), DATE OF MANUFACTURE, & BELDEN JOB NUMBER.

(2) LUBRICATE w/ LUBRIPLATE PRODUCT No. 1200-2, NLGI GRADE 2, AW/EP, LITHIUM GREASE OR EQUIVALENT.

(3) TORQUE M8x1.25 SOCKET HEAD CAP SCREW TO 20 FT-LBS.

(4) REF., MAXIMUM OPERATION ANGLE: 45°.

DO NOT SCALE DRAWING

<small>UNLESS OTHERWISE SPECIFIED CHAMFER ALL HOLES BREAK ALL SHARP CORNERS DE-BURR ALL FEATURES</small>	<small>STANDARD TOLERANCES, UNLESS OTHERWISE SPECIFIED</small> <small>DIMENSIONS ARE IN INCHES [mm]</small> ANGULAR MACHINED: ±1.0° FRACTIONAL: ±.015° TWO PLACE DECIMAL: ±.010° THREE PLACE DECIMAL: ±.005° FOUR PLACE DECIMAL: ±.0005° CONCENTRICITY: .0025" T.I.R.	MATERIAL	INITIALS	DATE	Belden Incorporated www.beldenuniversal.com TITLE: ASSEMBLY, UNIVERSAL JOINT		
		ALLOY STEEL	JP	31MAY19			
		HEAT TREAT	CHECKED	RNK		06/24/2019	
		SEE DETAILS	ENG APPR.	RNK		07/22/2019	
<small>PROPRIETARY AND CONFIDENTIAL</small> <small>THE INFORMATION CONTAINED IN THIS DRAWING IS THE SOLE PROPERTY OF BELDEN UNIVERSAL. ANY REPRODUCTION IN PART OR AS A WHOLE WITHOUT THE WRITTEN PERMISSION OF BELDEN UNIVERSAL IS PROHIBITED.</small>	<small>ALL HOLES TO BE LOCATED ON CENTERLINE (C) WITHIN .005" T.I.R. INTERPRET GEOMETRIC TOLERANCES I.A.W. ASME Y14.5</small>	FINISH	COMMENTS:		SIZE A	DWG. NO. UJ-HD2500x30-122	REV A
		NONE			SCALE: 1:1	WT (Lbs): 4.250	SHEET 1 OF 2