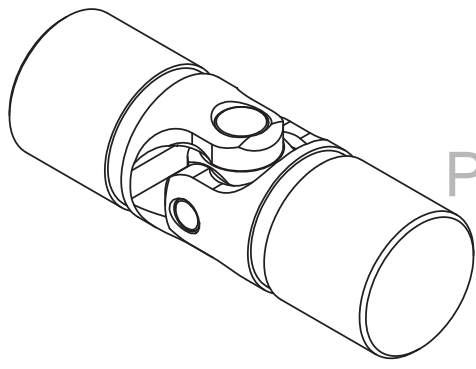
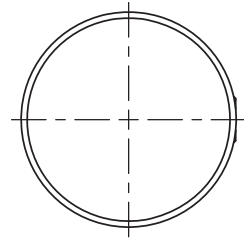
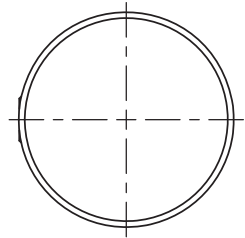
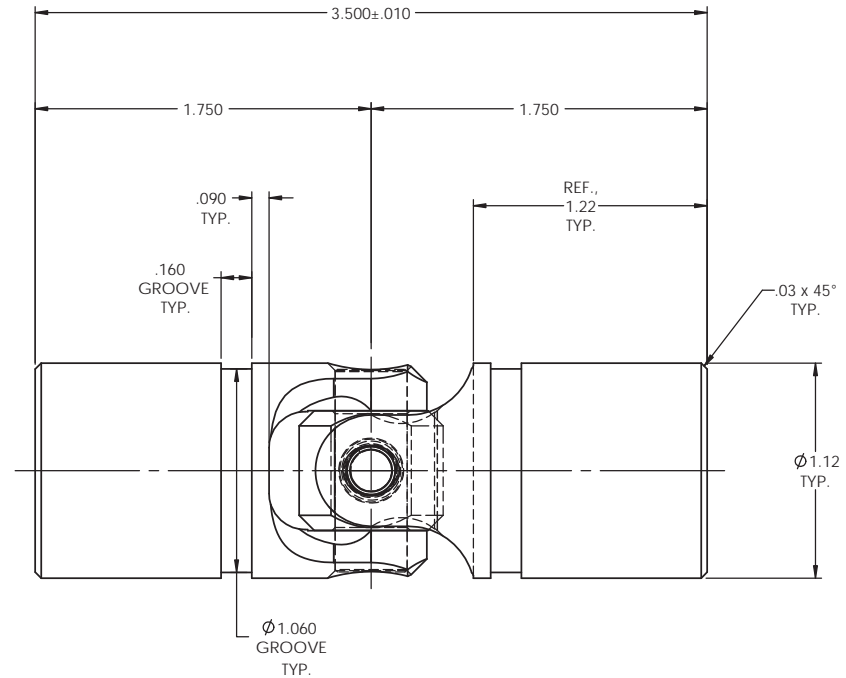


| REVISIONS |      |             |      |          |
|-----------|------|-------------|------|----------|
| ZONE      | REV. | DESCRIPTION | DATE | APPROVED |
|           |      |             |      |          |

# INFORMATION IN THIS DRAWING PROVIDED FOR REFERENCE ONLY



SCALE 1.5 : 1



NOTE(s), UNLESS OTHERWISE SPECIFIED.

- (1) UNIVERSAL JOINT IS MARKED w/ "BELDEN" LOGO, PART NUMBER / DRAWING NUMBER, REVISION LEVEL (IF ANY), DATE OF MANUFACTURE (MO/YR), AND BELDEN JOB NUMBER.
- (2) UNIVERSAL JOINT IS LUBRICATED w/ LUBRIPLATE 1200-2, NLGI GRADE 2, AW/EP, LITHIUM GREASE OR EQUIVALENT.
- (3) UNIVERSAL JOINT IS CAPABLE OF OPERATING AT ANY ANGLE UP TO AND INCLUDING 45°.
- (4) UNIVERSAL JOINT HAS STANDARD GROOVES TO ACCEPT INSTALLATION OF PROTECTIVE COVER (BOOT). BOOT AVAILABLE SEPARATELY. REFER TO BELDEN CATALOG, WEBSITE, OR CONTACT BELDEN SALES.
- (5) REFER TO BELDEN CATALOG, WEBSITE, OR CONTACT BELDEN SALES FOR TORQUE CAPACITY.
- (6) THIS DRAWING REPRESENTS A STANDARD BELDEN ITEM. CUSTOM UNIVERSAL JOINTS ARE AVAILABLE UPON REQUEST. PLEASE CONTACT BELDEN SALES.

**BELDEN PART NUMBER: UJ-HD1125x00**

DO NOT SCALE DRAWING

|  |  |  |  |   |  |
|--|--|--|--|---|--|
| UNLESS OTHERWISE SPECIFIED<br>CHAMFER ALL HOLES<br>BREAK ALL SHARP CORNERS<br>DE-BURR ALL FEATURES<br>TURNED SURFACES: $\sqrt{6.3}$<br>MILLED SURFACES: $\sqrt{125}$<br>PROPRIETARY AND CONFIDENTIAL<br>THE INFORMATION CONTAINED IN THIS DRAWING IS THE SOLE PROPERTY OF BELDEN INCORPORATED. ANY REPRODUCTION IN PART OR AS A WHOLE WITHOUT THE WRITTEN PERMISSION OF BELDEN INCORPORATED IS PROHIBITED. | STANDARD TOLERANCES, UNLESS OTHERWISE SPECIFIED<br>DIMENSIONS ARE IN INCHES (mm)   | MATERIAL: ALLOY STEEL<br>HEAT TREAT: SEE DETAIL DRAWINGS<br>FINISH: NONE   | NAME: JP<br>DATE: 27APR12<br>CHECKED: RNK<br>ENG APPR: RNK<br>MFG APPR:<br>D/A:<br>COMMENTS: | Belden Incorporated<br><a href="http://www.beldenuniversal.com">www.beldenuniversal.com</a><br>TITLE: ASSEMBLY, UNIVERSAL JOINT |  |
|  | ANGULAR MACHINED: $\pm 1.0^\circ$<br>FRACTIONAL: $\pm 0.015$<br>TWO PLACE DECIMAL: $\pm 0.010$<br>THREE PLACE DECIMAL: $\pm 0.005$<br>FOUR PLACE DECIMAL: $\pm 0.0005$<br>CONCENTRICITY: $0.0025$ T.I.R. | ALL HOLES TO BE LOCATED ON CENTERLINE (C) WITHIN $0.05^\circ$ T.I.R.<br>INTERPRET GEOMETRIC TOLERANCES I.A.W. ANSI Y14.5M-1992 | SIZE: C<br>DWG. NO.: UJ-HD1125x00<br>SCALE: 2:1   WT (Lbs): 0.844   SHEET 1 OF 2             | REV:  |  |

