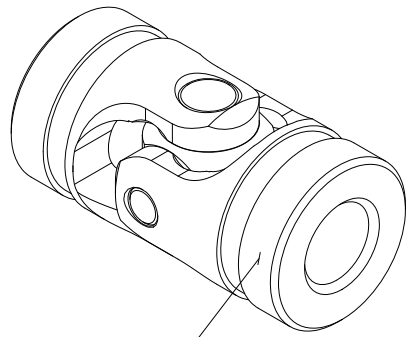


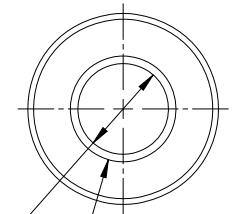
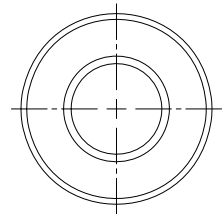
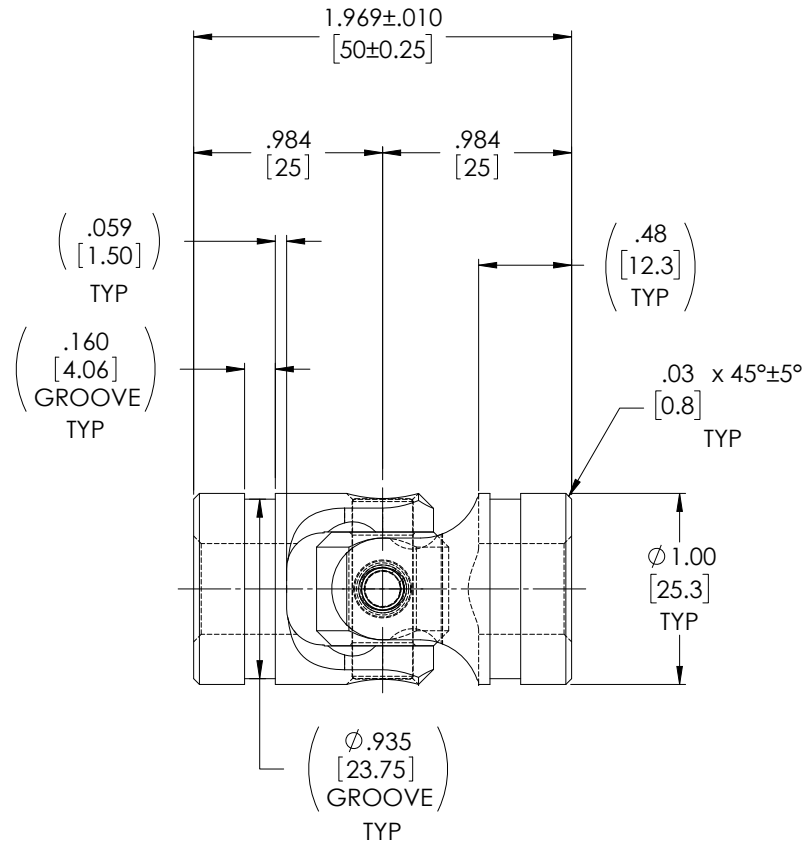
APPROVED

FOR REFERENCE ONLY

REVISIONS				
ZONE	REV.	DESCRIPTION	DATE	APPROVED
	A	INITIAL RELEASE	5/30/2019	JP



1



∅ .4724^{+0.0007}_{-.0000}
[12^{+0.018}₀]

∇ ∅ .55 X 90° ± 10° INCL.
[14]

TYPICAL BOTH ENDS

NOTE(s), UNLESS OTHERWISE SPECIFIED.

1 MARK ASSEMBLY w/ "BELDEN" LOGO, PART NUMBER, REVISION LEVEL (IF ANY), DATE OF MANUFACTURE, & BELDEN JOB No.

(2) LUBRICATE U-JOINT w/ LUBRIPLATE # 1200-2, NLGI GRADE 2, AW/EP, LITHIUM GREASE OR EQUIVALENT.

(3) REF., MAXIMUM OPERATING ANGLE: 45°

DO NOT SCALE DRAWING

<small>UNLESS OTHERWISE SPECIFIED CHAMFER ALL HOLES BREAK ALL SHARP CORNERS DE-BURR ALL FEATURES</small>	<small>STANDARD TOLERANCES, UNLESS OTHERWISE SPECIFIED</small> <small>DIMENSIONS ARE IN INCHES [mm]</small> ANGULAR MACHINED: ±1.0° FRACTIONAL: ±.015° TWO PLACE DECIMAL: ±.010° THREE PLACE DECIMAL: ±.005° FOUR PLACE DECIMAL: ±.0005° CONCENTRICITY: .0025" T.I.R.	MATERIAL	ALLOY STEEL	INITIALS	DATE	Belden Incorporated www.beldenuniversal.com ASSEMBLY, UNIVERSAL JOINT
		DRAWN	JP	30MAY19	TITLE:	
		CHECKED	RNK	06/24/2019	SIZE	
		ENG APPR.	RNK	07/22/2019	DWG. NO.	
<small>PROPRIETARY AND CONFIDENTIAL</small> <small>THE INFORMATION CONTAINED IN THIS DRAWING IS THE SOLE PROPERTY OF BELDEN UNIVERSAL. ANY REPRODUCTION IN PART OR AS A WHOLE WITHOUT THE WRITTEN PERMISSION OF BELDEN UNIVERSAL IS PROHIBITED.</small>	<small>ALL HOLES TO BE LOCATED ON CENTERLINE (C) WITHIN .005" T.I.R. INTERPRET GEOMETRIC TOLERANCES I.A.W. ASME Y14.5</small>	HEAT TREAT	SEE DETAIL DRAWINGS	MFG APPR. QC APPR.	COMMENTS:	REV A
		FINISH	NONE			SCALE: 2:1 WT (Lbs): 0.289 SHEET 1 OF 2