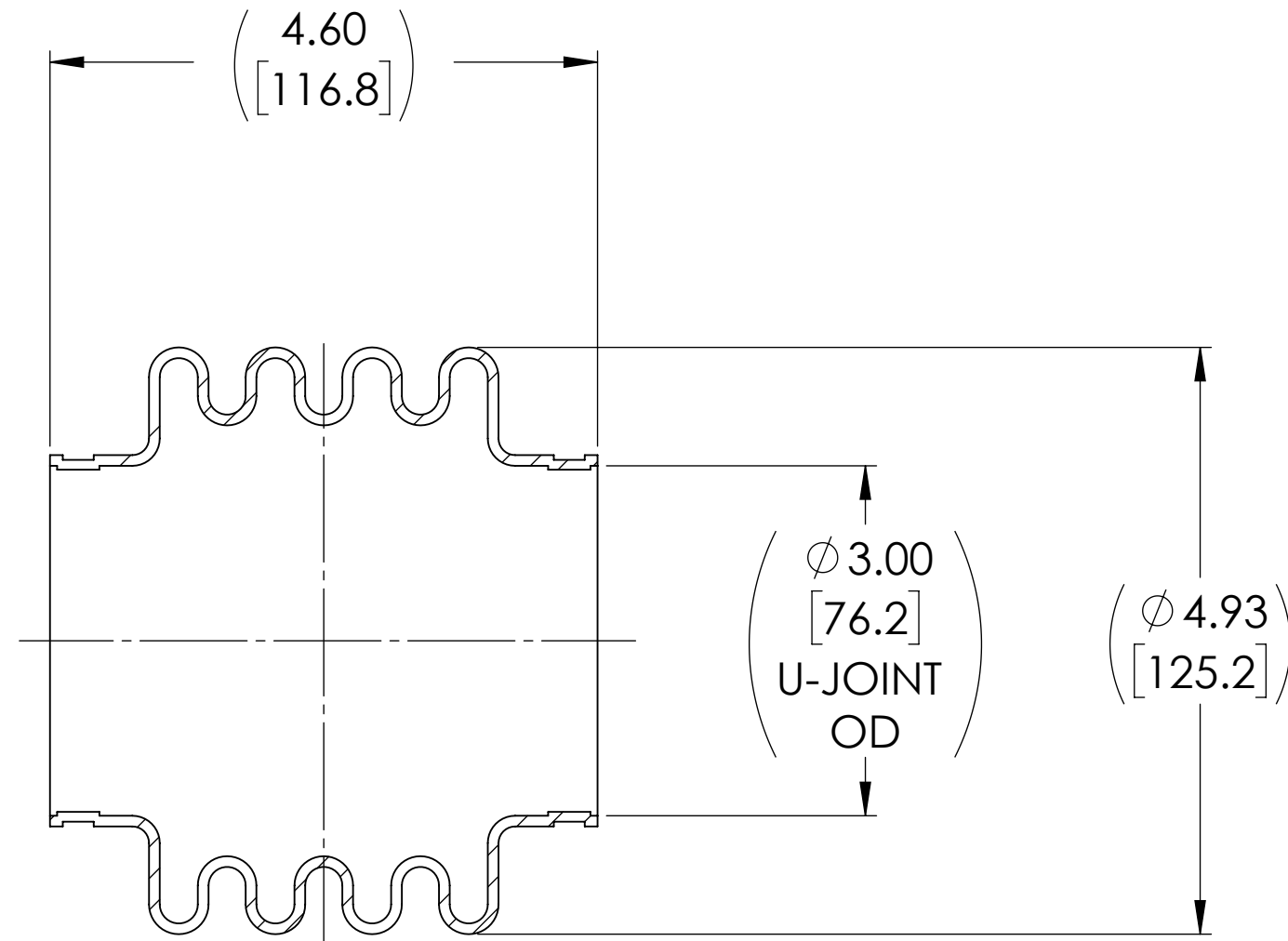
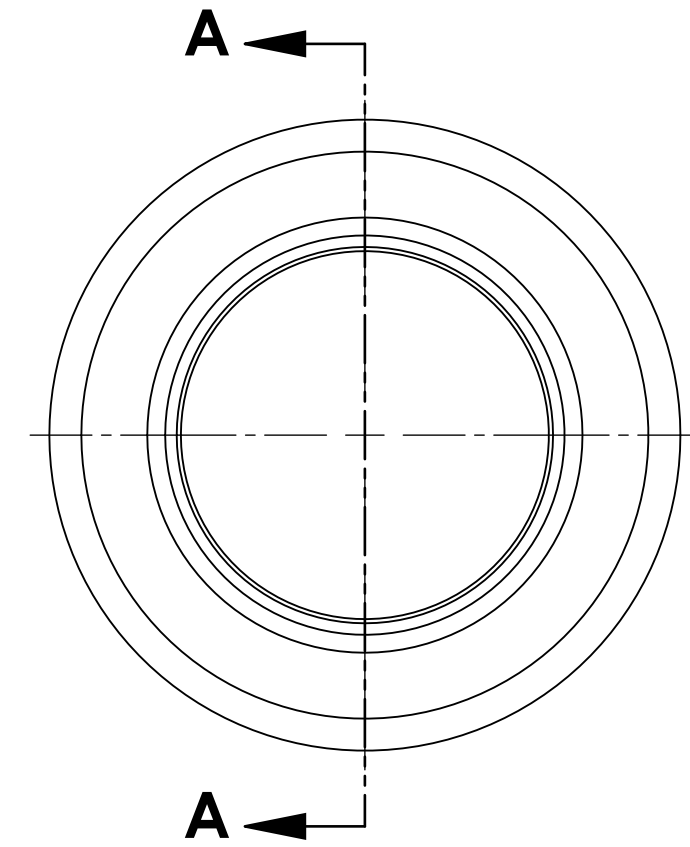


# APPROVED

| REVISIONS |      |                 |           |          |
|-----------|------|-----------------|-----------|----------|
| ZONE      | REV. | DESCRIPTION     | DATE      | APPROVED |
|           | A    | INITIAL RELEASE | 2/24/2021 | JP       |



**SECTION A-A**



NOTE(s), UNLESS OTHERWISE SPECIFIED.

- (1) MATERIAL: SILICONE
  - a. COLOR: RED OXIDE
  - b. DUROMETER: 50 ± 5 (SHORE A SCALE).

DO NOT SCALE DRAWING

|   |   |   |   |  |                  |   |                 |
|---|---|---|---|--|------------------|---|-----------------|
| UNLESS OTHERWISE SPECIFIED<br>CHAMFER ALL HOLES<br>BREAK ALL SHARP CORNERS<br>DE-BURR ALL FEATURES<br><br>TURNED SURFACES: $\sqrt{63}$<br>MILLED SURFACES: $\sqrt{125}$<br><br><b>PROPRIETARY AND CONFIDENTIAL</b><br>THE INFORMATION CONTAINED IN THIS<br>DRAWING IS THE SOLE PROPERTY OF<br>BELDEN UNIVERSAL. ANY<br>REPRODUCTION IN PART OR AS A WHOLE<br>WITHOUT THE WRITTEN PERMISSION OF<br>BELDEN UNIVERSAL IS PROHIBITED. | STANDARD TOLERANCES,<br>UNLESS OTHERWISE SPECIFIED<br><br>DIMENSIONS ARE IN INCHES [mm]<br>ANGULAR MACHINED: ±1.0°<br>FRACTIONAL: ±.015"<br>TWO PLACE DECIMAL: ±.010"<br>THREE PLACE DECIMAL: ±.005"<br>FOUR PLACE DECIMAL: ±.0005"<br>CONCENTRICITY: .0025" T.I.R. | MATERIAL<br>SEE NOTE(s)<br><br>HEAT TREAT<br>NONE<br><br>FINISH<br>NONE | INITIALS<br>DATE<br>DRAWN JP 24FEB21<br>CHECKED RNK 03/08/2021<br>ENG APPR. RNK 03/12/2021<br>MFG APPR.<br>QC APPR. | TITLE:<br><b>Belden Universal</b><br><a href="http://www.beldenuniversal.com">www.beldenuniversal.com</a><br><br><b>BOOT, SILICONE</b> | SIZE<br><b>A</b> | DWG. NO.<br><b>3000 BOOT-SL</b>               | REV<br><b>A</b> |
|   | ALL HOLES TO BE LOCATED ON<br>CENTERLINE (⌀) WITHIN .005" T.I.R.<br><br>INTERPRET GEOMETRIC TOLERANCES<br>I.A.W. ASME Y14.5   |   |   | COMMENTS:  |                  | SCALE: 1:1.5   WT (Lbs): 0.343   SHEET 1 OF 1 |                 |