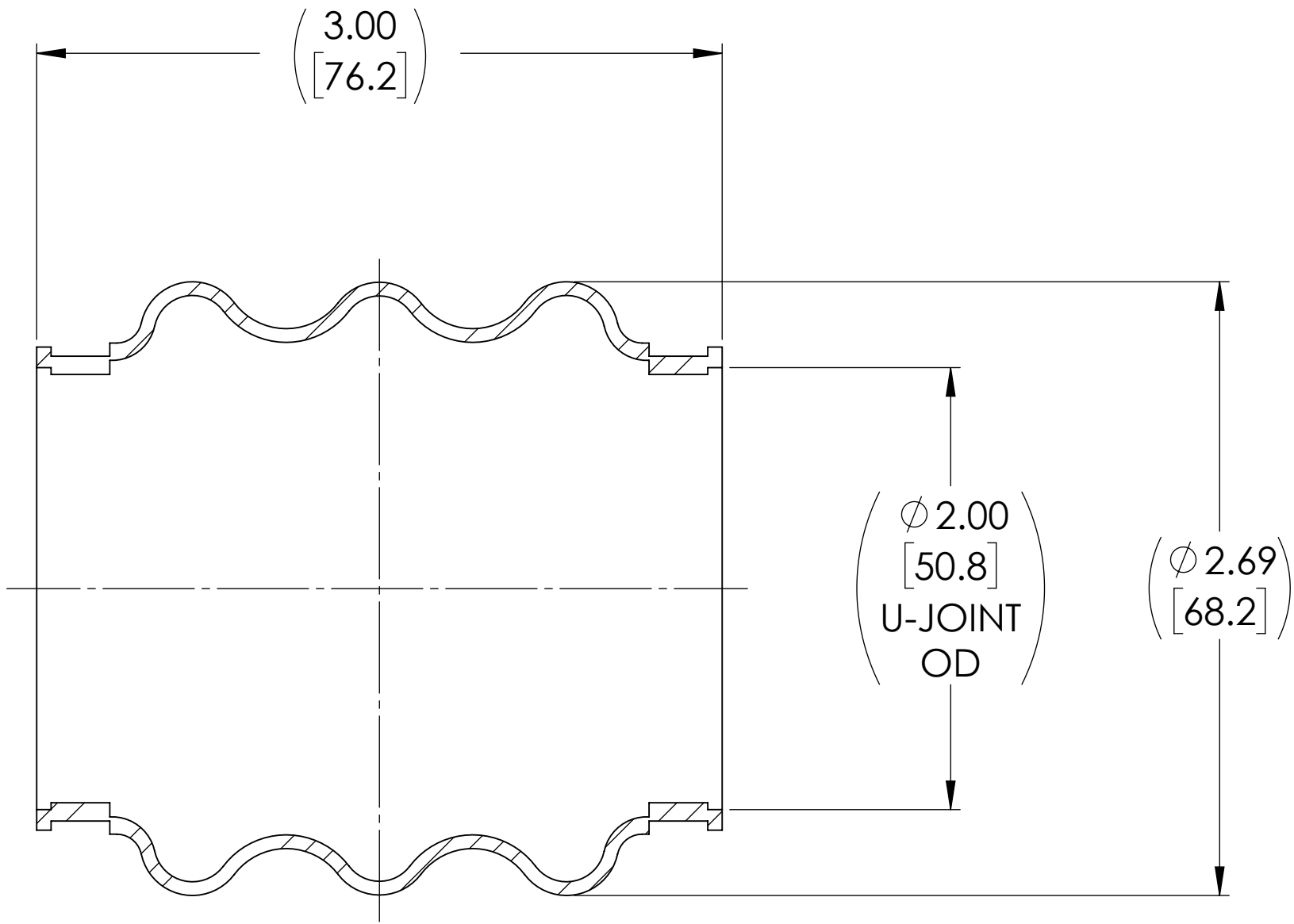
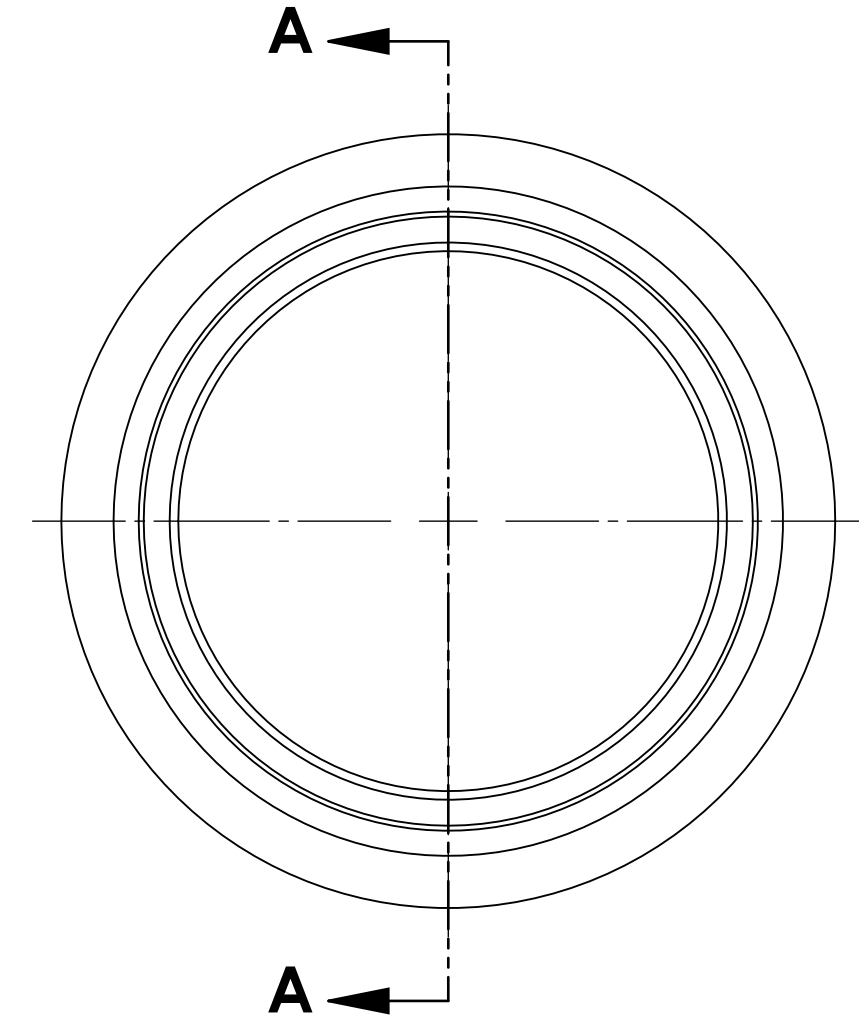


# APPROVED

REVISIONS				
ZONE	REV.	DESCRIPTION	DATE	APPROVED
	A	INITIAL RELEASE	2/17/2021	JP



**SECTION A-A**



NOTE(s), UNLESS OTHERWISE SPECIFIED.

(1) MATERIAL: NITRILE

a. COLOR: BLACK

b. DUROMETER: 50 ± 5 (SHORE A SCALE).

DO NOT SCALE DRAWING

UNLESS OTHERWISE SPECIFIED CHAMFER ALL HOLES BREAK ALL SHARP CORNERS DE-BURR ALL FEATURES  TURNED SURFACES: $\checkmark_{63}$ MILLED SURFACES: $\checkmark_{125}$  <b>PROPRIETARY AND CONFIDENTIAL</b> THE INFORMATION CONTAINED IN THIS DRAWING IS THE SOLE PROPERTY OF BELDEN UNIVERSAL. ANY REPRODUCTION IN PART OR AS A WHOLE WITHOUT THE WRITTEN PERMISSION OF BELDEN UNIVERSAL IS PROHIBITED.	STANDARD TOLERANCES, UNLESS OTHERWISE SPECIFIED  DIMENSIONS ARE IN INCHES [mm] ANGULAR MACHINED: ±1.0° FRACTIONAL: ±.015" TWO PLACE DECIMAL: ±.010" THREE PLACE DECIMAL: ±.005" FOUR PLACE DECIMAL: ±.0005" CONCENTRICITY: .0025" T.I.R.	MATERIAL SEE NOTES  HEAT TREAT  FINISH SEE NOTES	<table border="1" style="width: 100%; border-collapse: collapse;"> <tr> <th>INITIALS</th> <th>DATE</th> </tr> <tr> <td>JP</td> <td>17FEB21</td> </tr> <tr> <td>RNK</td> <td>03/08/2021</td> </tr> <tr> <td>RNK</td> <td>03/12/2021</td> </tr> <tr> <td></td> <td></td> </tr> <tr> <td></td> <td></td> </tr> </table>	INITIALS	DATE	JP	17FEB21	RNK	03/08/2021	RNK	03/12/2021					<table border="1" style="width: 100%; border-collapse: collapse;"> <tr> <td colspan="2" style="text-align: center;"><b>Belden Universal</b></td> </tr> <tr> <td colspan="2" style="text-align: center;"><a href="http://www.beldenuniversal.com">www.beldenuniversal.com</a></td> </tr> <tr> <td colspan="2" style="text-align: center;">TITLE: <b>BOOT, NITRILE</b></td> </tr> </table>	<b>Belden Universal</b>		<a href="http://www.beldenuniversal.com">www.beldenuniversal.com</a>		TITLE: <b>BOOT, NITRILE</b>	
	INITIALS	DATE																				
	JP	17FEB21																				
	RNK	03/08/2021																				
RNK	03/12/2021																					
<b>Belden Universal</b>																						
<a href="http://www.beldenuniversal.com">www.beldenuniversal.com</a>																						
TITLE: <b>BOOT, NITRILE</b>																						
ALL HOLES TO BE LOCATED ON CENTERLINE (☉) WITHIN .005" T.I.R.  INTERPRET GEOMETRIC TOLERANCES I.A.W. ASME Y14.5		COMMENTS:		<table border="1" style="width: 100%; border-collapse: collapse;"> <tr> <td>SIZE <b>A</b></td> <td>DWG. NO. <b>2000 BOOT</b></td> <td>REV <b>A</b></td> </tr> </table>	SIZE <b>A</b>	DWG. NO. <b>2000 BOOT</b>	REV <b>A</b>															
SIZE <b>A</b>	DWG. NO. <b>2000 BOOT</b>	REV <b>A</b>																				
		SCALE: 1.5:1   WT (Lbs): 0.059   SHEET 1 OF 1																				