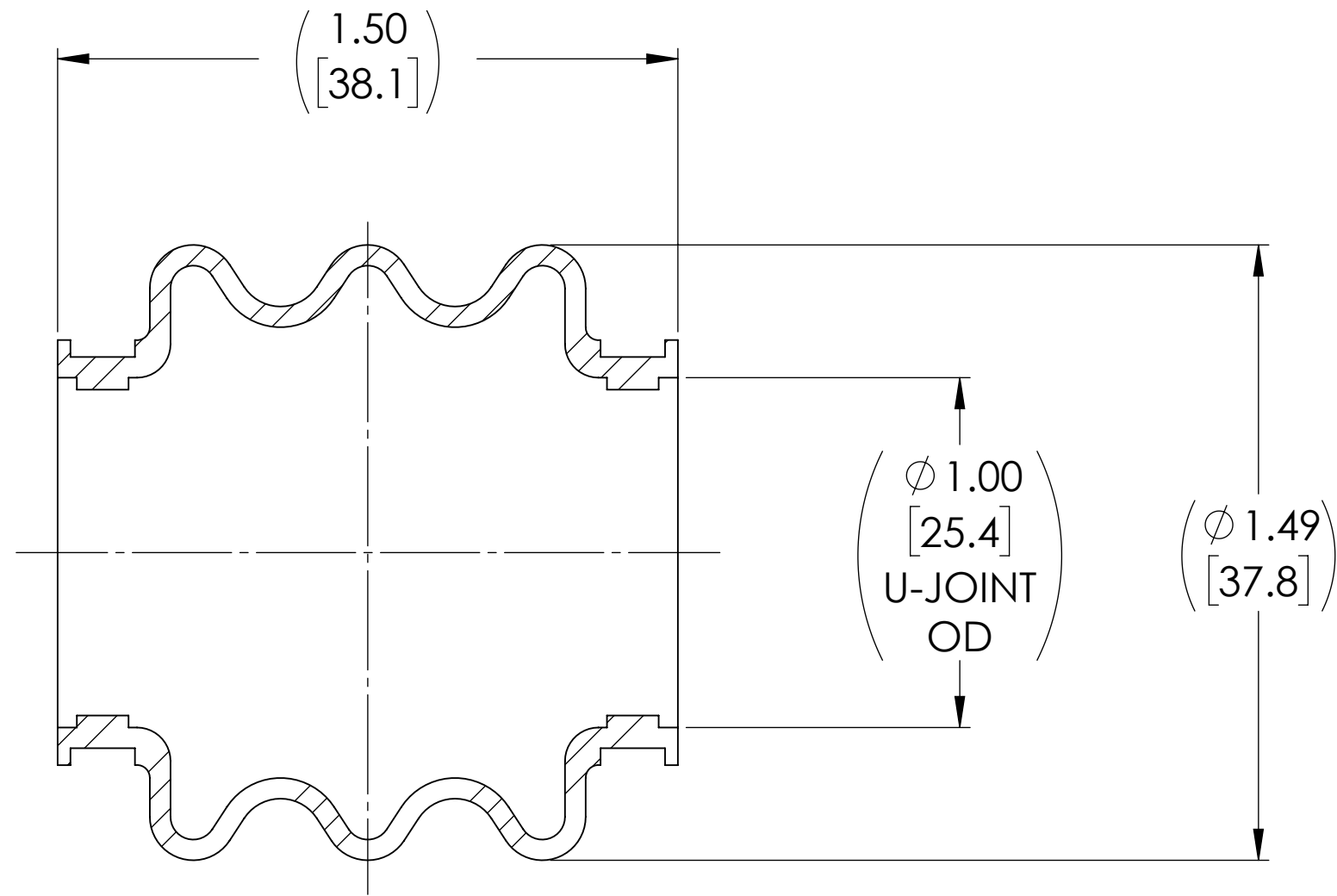
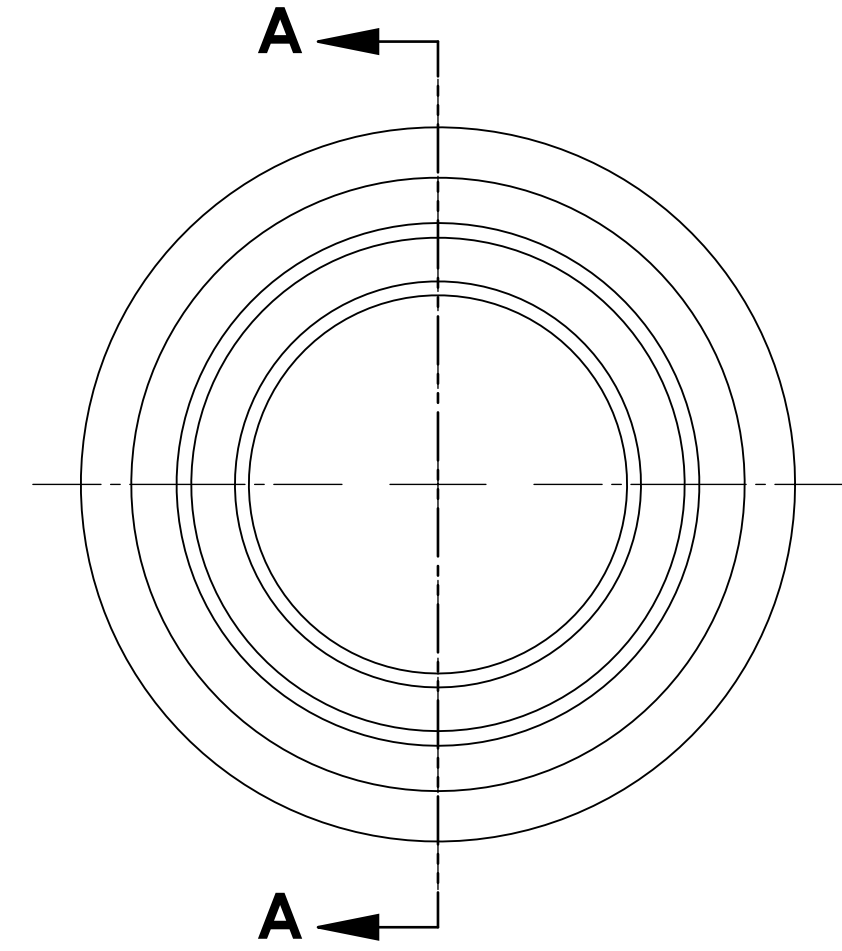


APPROVED

REVISIONS				
ZONE	REV.	DESCRIPTION	DATE	APPROVED
	A	INITIAL RELEASE	2/16/2021	JP



SECTION A-A



NOTE(s), UNLESS OTHERWISE SPECIFIED.

(1) MATERIAL: SILICONE

a. COLOR: RED OXIDE

b. DUROMETER: 50 ± 5 (SHORE A SCALE).

DO NOT SCALE DRAWING

UNLESS OTHERWISE SPECIFIED CHAMFER ALL HOLES BREAK ALL SHARP CORNERS DE-BURR ALL FEATURES TURNED SURFACES: $\sqrt{63}$ MILLED SURFACES: $\sqrt{125}$ PROPRIETARY AND CONFIDENTIAL <small>THE INFORMATION CONTAINED IN THIS DRAWING IS THE SOLE PROPERTY OF BELDEN UNIVERSAL. ANY REPRODUCTION IN PART OR AS A WHOLE WITHOUT THE WRITTEN PERMISSION OF BELDEN UNIVERSAL IS PROHIBITED.</small>	STANDARD TOLERANCES, UNLESS OTHERWISE SPECIFIED DIMENSIONS ARE IN INCHES [mm] ANGULAR MACHINED: ±1.0° FRACTIONAL: ±.015" TWO PLACE DECIMAL: ±.010" THREE PLACE DECIMAL: ±.005" FOUR PLACE DECIMAL: ±.0005" CONCENTRICITY: .0025" T.I.R. ALL HOLES TO BE LOCATED ON CENTERLINE (⊕) WITHIN .005" T.I.R. INTERPRET GEOMETRIC TOLERANCES I.A.W. ASME Y14.5	MATERIAL SEE NOTES HEAT TREAT N/A FINISH SEE NOTES	INITIALS	DATE	Belden Universal www.beldenuniversal.com BOOT, SILICONE	
			DRAWN	JP		16FEB21
			CHECKED	RNK		03/08/2021
			ENG APPR.	RNK		03/12/2021
			MFG APPR.			
			QC APPR.			
			COMMENTS:			
SIZE	DWG. NO.	REV				
A	1000 BOOT-SL	A				
SCALE: 2.5:1			WT (Lbs): 0.016	SHEET 1 OF 1		