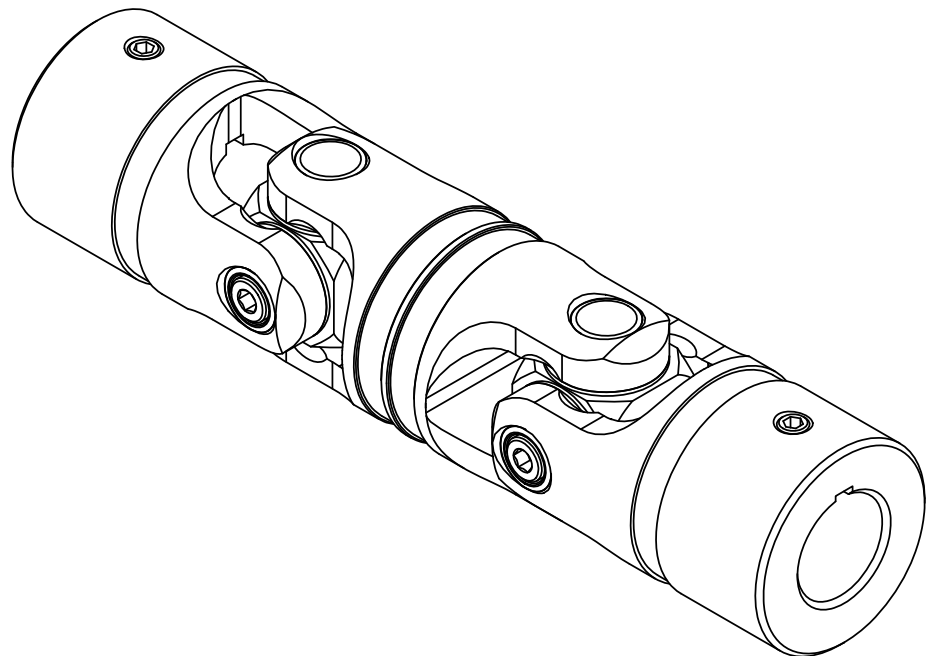


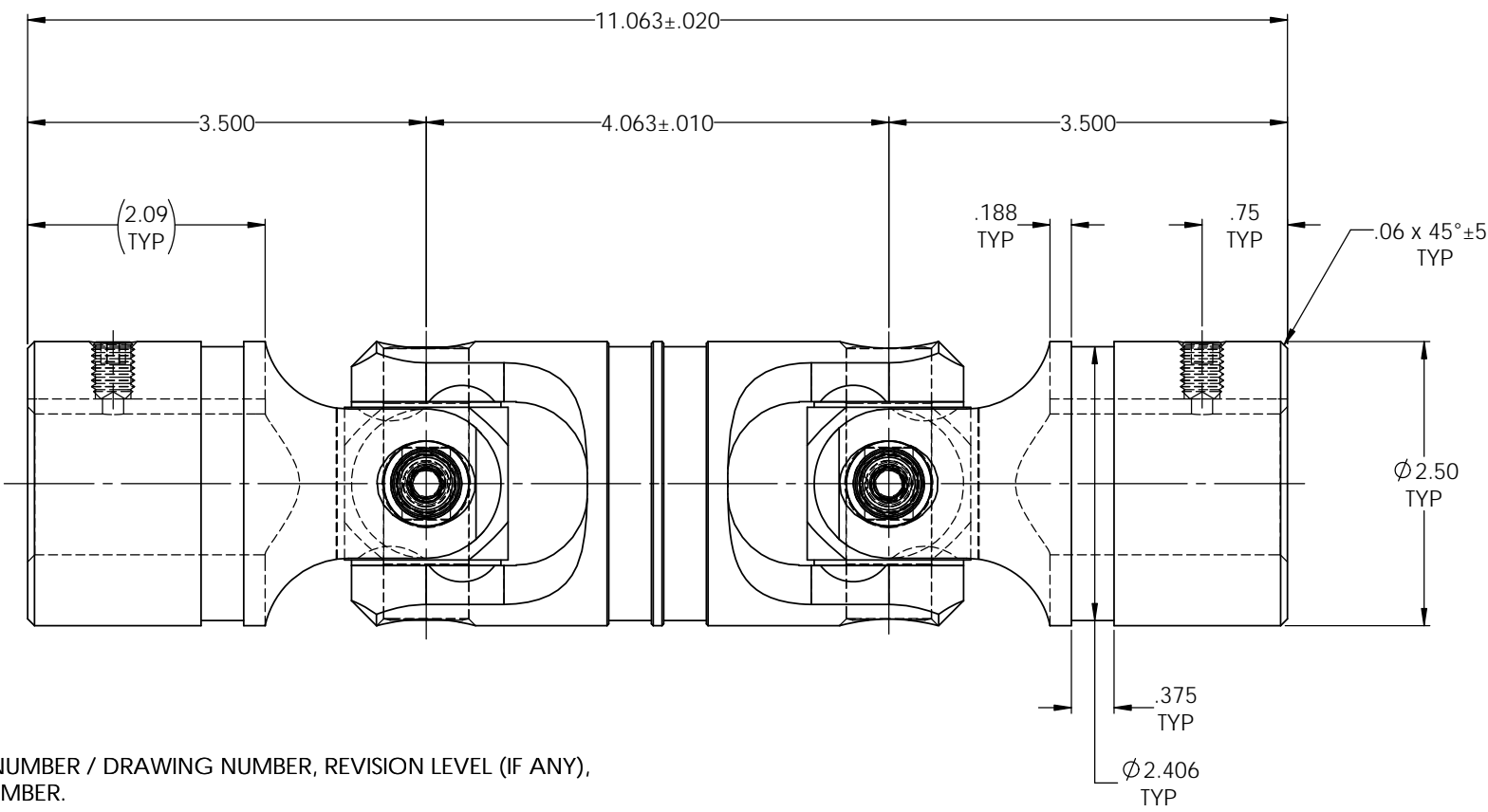
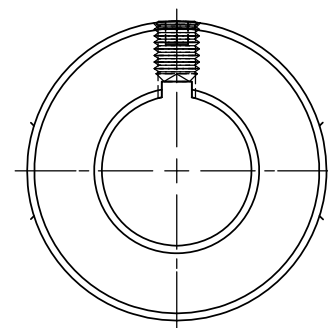
REVISIONS				
ZONE	REV.	DESCRIPTION	DATE	APPROVED



INFORMATION IN THIS DRAWING
PROVIDED FOR REFERENCE ONLY

SCALE 1 : 1

SOCKET SET SCREW, 3/8-16 x 1/2", CUP POINT, 18-8 S.S., 2X



NOTE(S), UNLESS OTHERWISE SPECIFIED.

- (1) UNIVERSAL JOINT IS MARKED w/ "BELDEN" LOGO, PART NUMBER / DRAWING NUMBER, REVISION LEVEL (IF ANY), DATE OF MANUFACTURE (MO/YR), AND BELDEN JOB NUMBER.
- (2) UNIVERSAL JOINT IS LUBRICATED w/ LUBRIPLATE 1200-2, NLGI GRADE 2, AW/EP, LITHIUM GREASE OR EQUIVALENT.
- (3) UNIVERSAL JOINT IS CAPABLE OF OPERATING AT ANY ANGLE UP TO AND INCLUDING 45°, 90° FOR THE DOUBLE UNIVERSAL JOINT.
- (4) UNIVERSAL JOINT HAS STANDARD GROOVES TO ACCEPT INSTALLATION OF PROTECTIVE COVERS (BOOTS). BOOTS AVAILABLE SEPARATELY. REFER TO BELDEN CATALOG, WEBSITE, OR CONTACT BELDEN SALES.
- (5) REFER TO BELDEN CATALOG, WEBSITE, OR CONTACT BELDEN SALES FOR TORQUE CAPACITY.
- (6) THIS DRAWING REPRESENTS A STANDARD BELDEN ITEM. CUSTOM UNIVERSAL JOINTS ARE AVAILABLE UPON REQUEST. PLEASE CONTACT BELDEN SALES.

BELDEN PART NUMBER: DUJ-SS2500x1250K

DO NOT SCALE DRAWING

TYPICAL BOTH ENDS

UNLESS OTHERWISE SPECIFIED: CHAMFER ALL HOLES BREAK ALL SHARP CORNERS DE-BURR ALL FEATURES	STANDARD TOLERANCES, UNLESS OTHERWISE SPECIFIED DIMENSIONS ARE IN INCHES (mm)	MATERIAL: STAINLESS STEEL	INITIALS	DATE	Belden Universal www.beldenuniversal.com
			DRAWN	18MAR19	
TURNED SURFACES: 63/125 ✓	ANGULAR MACHINED: ±1.0° FRACTIONAL: ±.015" TWO PLACE DECIMAL: ±.010" THREE PLACE DECIMAL: ±.005" FOUR PLACE DECIMAL: ±.0005" CONCENTRICITY: .0025" T.I.R.	HEAT TREAT: SEE DETAIL DRAWINGS	CHECKED	03/18/2019	TITLE: ASSEMBLY, DOUBLE UNIVERSAL JOINT
MILLED SURFACES: ✓	ALL HOLES TO BE LOCATED ON CENTERLINE (Q) WITHIN .005" T.I.R.	FINISH/COATING: NONE	ENG APPR		
PROPRIETARY AND CONFIDENTIAL THE INFORMATION CONTAINED IN THIS DRAWING IS THE SOLE PROPERTY OF BELDEN UNIVERSAL. ANY REPRODUCTION IN PART OR AS A WHOLE WITHOUT THE WRITTEN PERMISSION OF BELDEN UNIVERSAL IS PROHIBITED.	INTERPRET GEOMETRIC TOLERANCES I.A.W. ASME Y14.5	COMMENTS:	MFG APPR		SIZE DWG. NO. B DUJ-SS2500x1250K
			QUALITY		SCALE: 1.25:1 WEIGHT (Lbs): 10.634 SHEET 1 OF 2