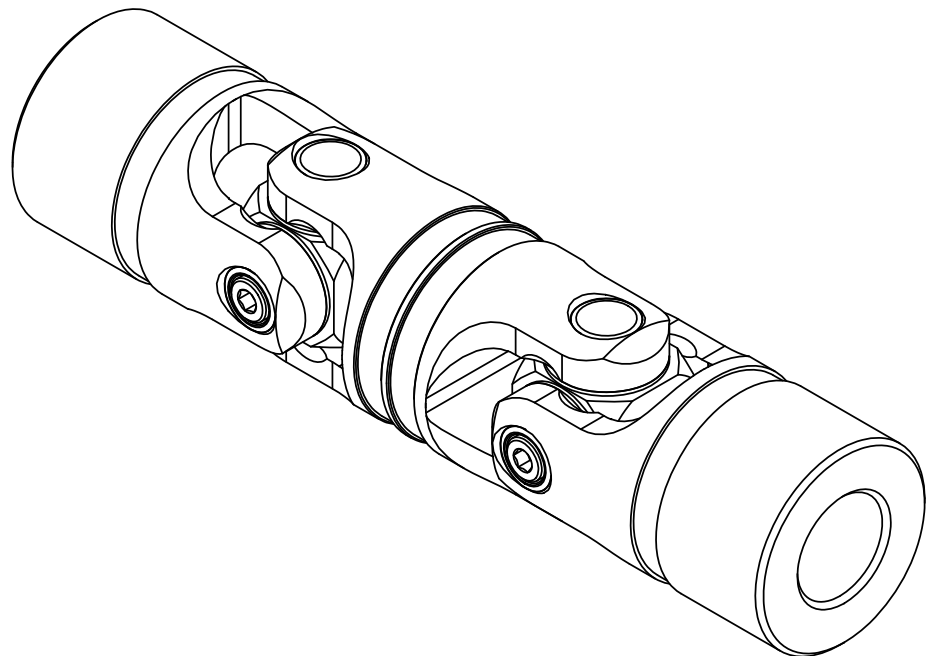
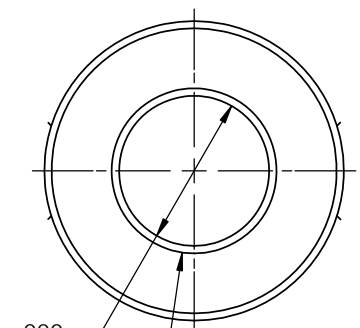
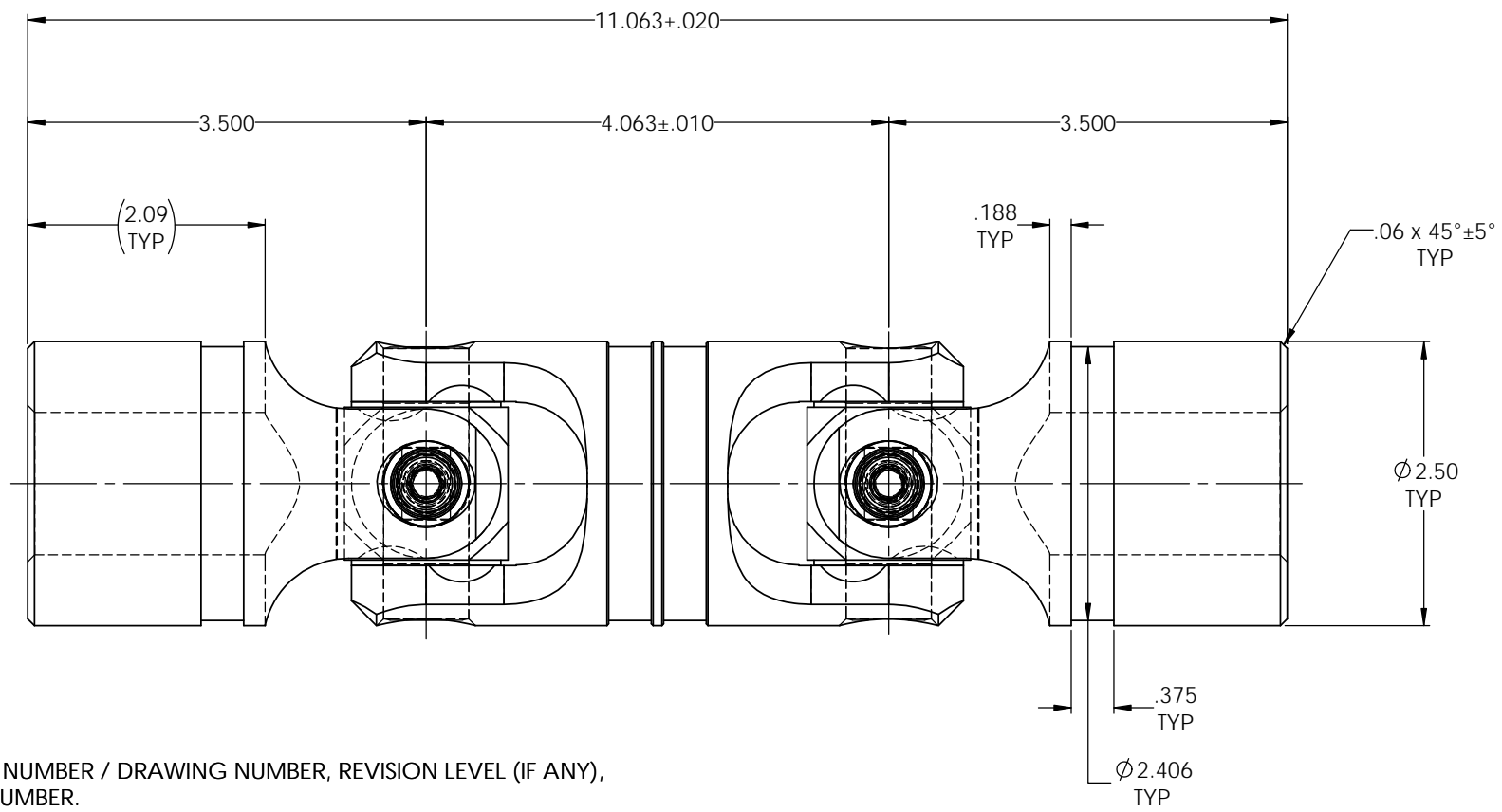
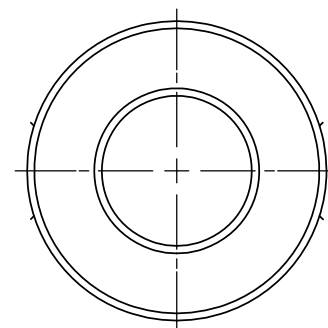


REVISIONS				
ZONE	REV.	DESCRIPTION	DATE	APPROVED



INFORMATION IN THIS DRAWING
PROVIDED FOR REFERENCE ONLY

SCALE 1 : 1



NOTE(s), UNLESS OTHERWISE SPECIFIED.

- UNIVERSAL JOINT IS MARKED w/ "BELDEN" LOGO, PART NUMBER / DRAWING NUMBER, REVISION LEVEL (IF ANY), DATE OF MANUFACTURE (MO/YR), AND BELDEN JOB NUMBER.
- UNIVERSAL JOINT IS LUBRICATED w/ LUBRIPLATE 1200-2, NLGI GRADE 2, AW/EP, LITHIUM GREASE OR EQUIVALENT.
- UNIVERSAL JOINT IS CAPABLE OF OPERATING AT ANY ANGLE UP TO AND INCLUDING 45°, 90° FOR THE DOUBLE UNIVERSAL JOINT.
- UNIVERSAL JOINT HAS STANDARD GROOVES TO ACCEPT INSTALLATION OF PROTECTIVE COVERS (BOOTS). BOOTS AVAILABLE SEPARATELY. REFER TO BELDEN CATALOG, WEBSITE, OR CONTACT BELDEN SALES.
- REFER TO BELDEN CATALOG, WEBSITE, OR CONTACT BELDEN SALES FOR TORQUE CAPACITY.
- THIS DRAWING REPRESENTS A STANDARD BELDEN ITEM. CUSTOM UNIVERSAL JOINTS ARE AVAILABLE UPON REQUEST. PLEASE CONTACT BELDEN SALES.

BELDEN PART NUMBER: DUJ-SS2500x1250

DO NOT SCALE DRAWING

UNLESS OTHERWISE SPECIFIED: CHAMFER ALL HOLES BREAK ALL SHARP CORNERS DE-BURR ALL FEATURES	STANDARD TOLERANCES, UNLESS OTHERWISE SPECIFIED DIMENSIONS ARE IN INCHES (mm)	MATERIAL: STAINLESS STEEL	INITIALS	DATE	Belden Universal www.beldenuniversal.com
			DRAWN	JP	
TURNED SURFACES: $\frac{63}{125}$	ANGULAR MACHINED: $\pm 1.0^\circ$	HEAT TREAT: SEE DETAIL DRAWINGS	CHECKED	JMH	TITLE: ASSEMBLY, DOUBLE UNIVERSAL JOINT
MILLED SURFACES: $\frac{63}{125}$	FRACTIONAL: ± 0.015		ENG APPR		
	TWO PLACE DECIMAL: ± 0.010	MFG APPR			
	THREE PLACE DECIMAL: ± 0.005	QUALITY			
	FOUR PLACE DECIMAL: ± 0.0005	COMMENTS:			
	CONCENTRICITY: $.0025$ T.I.R.	FINISH/COATING: NONE			
PROPRIETARY AND CONFIDENTIAL THE INFORMATION CONTAINED IN THIS DRAWING IS THE SOLE PROPERTY OF BELDEN UNIVERSAL. ANY REPRODUCTION IN PART OR AS A WHOLE WITHOUT THE WRITTEN PERMISSION OF BELDEN UNIVERSAL IS PROHIBITED.	ALL HOLES TO BE LOCATED ON CENTERLINE (Q) WITHIN .005" T.I.R. INTERPRET GEOMETRIC TOLERANCES I.A.W. ASME Y14.5				SIZE DWG. NO. B DUJ-SS2500x1250
					SCALE: 1.25:1 WEIGHT (Lbs): 10.673 SHEET 1 OF 2