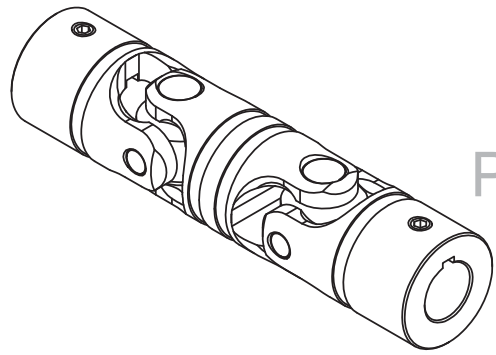
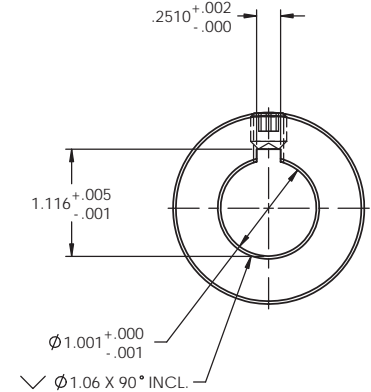
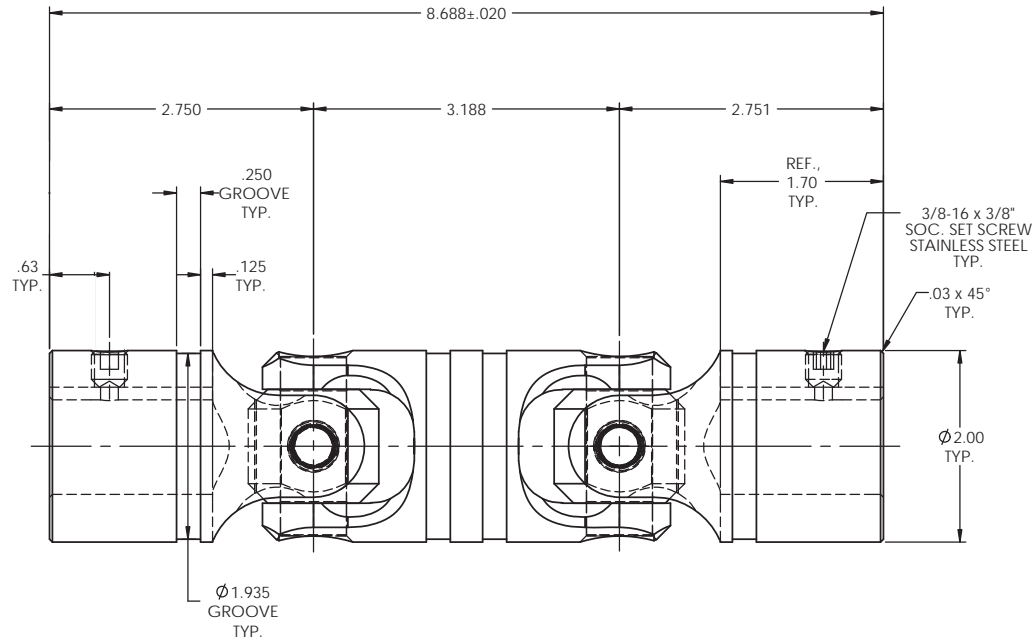


INFORMATION IN THIS DRAWING PROVIDED FOR REFERENCE ONLY



SCALE 1 : 1.5



TYPICAL BOTH ENDS

NOTE(S), UNLESS OTHERWISE SPECIFIED.

- (1) UNIVERSAL JOINT IS MARKED w/ "BELDEN" LOGO, PART NUMBER / DRAWING NUMBER, REVISION LEVEL (IF ANY), DATE OF MANUFACTURE (MO/YR), AND BELDEN JOB NUMBER.
- (2) UNIVERSAL JOINT IS LUBRICATED w/ LUBRIPLATE 1200-2, NLGI GRADE 2, AW/EP, LITHIUM GREASE OR EQUIVALENT.
- (3) UNIVERSAL JOINT IS CAPABLE OF OPERATING AT ANY ANGLE UP TO AND INCLUDING 45°, 90° FOR THE DOUBLE UNIVERSAL JOINT.
- (4) UNIVERSAL JOINT HAS STANDARD GROOVES TO ACCEPT INSTALLATION OF PROTECTIVE COVERS (BOOTS). BOOTS AVAILABLE SEPARATELY. REFER TO BELDEN CATALOG, WEBSITE, OR CONTACT BELDEN SALES.
- (5) REFER TO BELDEN CATALOG, WEBSITE, OR CONTACT BELDEN SALES FOR TORQUE CAPACITY.
- (6) THIS DRAWING REPRESENTS A STANDARD BELDEN ITEM. CUSTOM UNIVERSAL JOINTS ARE AVAILABLE UPON REQUEST. PLEASE CONTACT BELDEN SALES.

BELDEN PART NUMBER: DUJ-SS2000x1000K

DO NOT SCALE DRAWING

<small>UNLESS OTHERWISE SPECIFIED CHAMFER ALL HOLES BREAK ALL SHARP CORNERS DE-BURR ALL FEATURES</small>	<small>STANDARD TOLERANCES, UNLESS OTHERWISE SPECIFIED</small> <small>DIMENSIONS ARE IN INCHES [mm]</small> ANGULAR MACHINED: ±1.0° FRACTIONAL: ±.015" TWO PLACE DECIMAL: ±.010" THREE PLACE DECIMAL: ±.005" FOUR PLACE DECIMAL: ±.0005" CONCENTRICITY: .0025" T.I.R.	MATERIAL	STAINLESS STEEL	NAME	JP	DATE	24APR12	Belden Incorporated www.beldenuniversal.com TITLE: ASSEMBLY, DOUBLE U-JOINT		
		HEAT TREAT	SEE DETAIL DRAWINGS	DRAWN	JP	24APR12				
		FINISH	NONE	CHECKED	RNK	24APR12				
		COMMENTS:		ENG APPR.	RNK	24APR12				
<small>PROPRIETARY AND CONFIDENTIAL</small> <small>THE INFORMATION CONTAINED IN THIS DRAWING IS THE SOLE PROPERTY OF BELDEN INCORPORATED. NO PART OR WHOLE REPRODUCTION IN PART OR AS A WHOLE WITHOUT THE WRITTEN PERMISSION OF BELDEN INCORPORATED IS PROHIBITED.</small>	<small>ALL HOLES TO BE LOCATED ON CENTERLINE (C) WITHIN .005" T.I.R.</small> <small>INTERPRET GEOMETRIC TOLERANCES I.A.W. ANSI Y14.5M-1992</small>	<small>HEAT TREAT</small> <small>SEE DETAIL DRAWINGS</small>	<small>ENG APPR.</small> <small>RNK</small>	<small>MFG APPR.</small> 	<small>DATE</small> 	<small>NAME</small> 	<small>DATE</small> 	SIZE C	DWG. NO. DUJ-SS2000x1000K	REV
		SCALE: 1:1		WT (Lbs): 5.476		SHEET 1 OF 2				