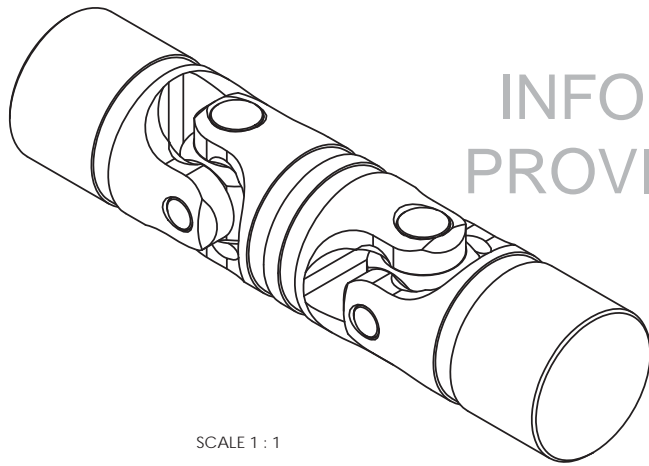
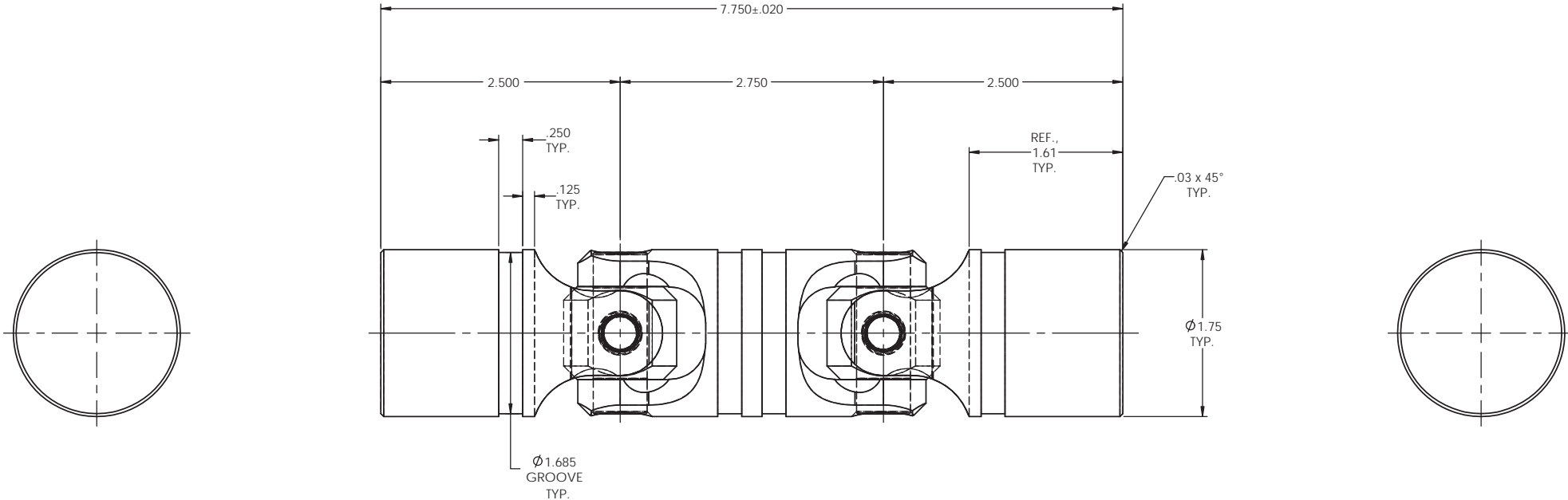


# INFORMATION IN THIS DRAWING PROVIDED FOR REFERENCE ONLY



SCALE 1 : 1

REVISIONS				
ZONE	REV.	DESCRIPTION	DATE	APPROVED



NOTE(s), UNLESS OTHERWISE SPECIFIED.

- UNIVERSAL JOINT IS MARKED w/ "BELDEN" LOGO, PART NUMBER / DRAWING NUMBER, REVISION LEVEL (IF ANY), DATE OF MANUFACTURE (MO/YR), AND BELDEN JOB NUMBER.
- UNIVERSAL JOINT IS LUBRICATED w/ LUBRIPLATE 1200-2, NLGI GRADE 2, AW/EP, LITHIUM GREASE OR EQUIVALENT.
- UNIVERSAL JOINT IS CAPABLE OF OPERATING AT ANY ANGLE UP TO AND INCLUDING 45°, 90° FOR THE DOUBLE UNIVERSAL JOINT.
- UNIVERSAL JOINT HAS STANDARD GROOVES TO ACCEPT INSTALLATION OF PROTECTIVE COVERS (BOOTS). BOOTS AVAILABLE SEPARATELY. REFER TO BELDEN CATALOG, WEBSITE, OR CONTACT BELDEN SALES.
- REFER TO BELDEN CATALOG, WEBSITE, OR CONTACT BELDEN SALES FOR TORQUE CAPACITY.
- THIS DRAWING REPRESENTS A STANDARD BELDEN ITEM. CUSTOM UNIVERSAL JOINTS ARE AVAILABLE UPON REQUEST. PLEASE CONTACT BELDEN SALES.

**BELDEN PART NUMBER: DUJ-SS1750x00**

DO NOT SCALE DRAWING

<small>UNLESS OTHERWISE SPECIFIED CHAMFER ALL HOLES BREAK ALL SHARP CORNERS DE-BURR ALL FEATURES</small>	<small>STANDARD TOLERANCES, UNLESS OTHERWISE SPECIFIED</small>  <small>DIMENSIONS ARE IN INCHES (mm)</small> ANGULAR MACHINED: ±1.0° FRACTIONAL: ±0.015" TWO PLACE DECIMAL: ±0.010" THREE PLACE DECIMAL: ±0.005" FOUR PLACE DECIMAL: ±0.0005" CONCENTRICITY: 0.0025" T.I.R.	MATERIAL	NAME	DATE	Belden Incorporated <a href="http://www.beldenuniversal.com">www.beldenuniversal.com</a>	
		STAINLESS STEEL	JP	03APR12		
		HEAT TREAT	CHECKED	RNK		08MAY12
		SEE DETAIL DRAWINGS	ENG APPR.	RNK		08MAY12
<small>TURNED SURFACES: <math>\sqrt{6.3}</math></small> <small>MILLED SURFACES: <math>\sqrt{125}</math></small>	<small>PROPRIETARY AND CONFIDENTIAL</small> <small>THE INFORMATION CONTAINED IN THIS DRAWING IS THE SOLE PROPERTY OF BELDEN INCORPORATED. ANY REPRODUCTION IN PART OR AS A WHOLE WITHOUT THE WRITTEN PERMISSION OF BELDEN INCORPORATED IS PROHIBITED.</small>	<small>FINISH</small> NONE	<small>COMMENTS</small>		TITLE: <b>ASS'Y, DOUBLE UNIVERSAL JOINT</b>	
<small>ALL HOLES TO BE LOCATED ON CENTERLINE (C) WITHIN .005" T.I.R.</small> <small>INTERPRET GEOMETRIC TOLERANCES I.A.W. ANSI Y14.5M-1992</small>		SIZE <b>C</b>		DWG. NO. DUJ-SS1750x00	REV	
		SCALE: 5:4   WT (Lbs): 4.374   SHEET 1 OF 2				