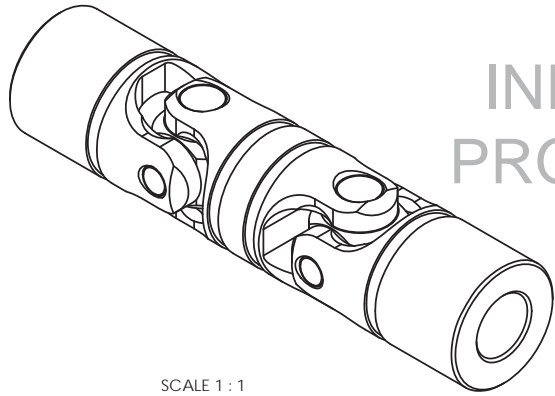
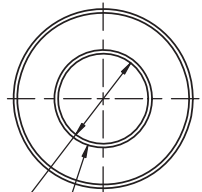
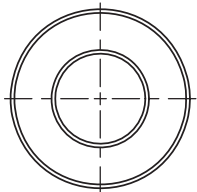
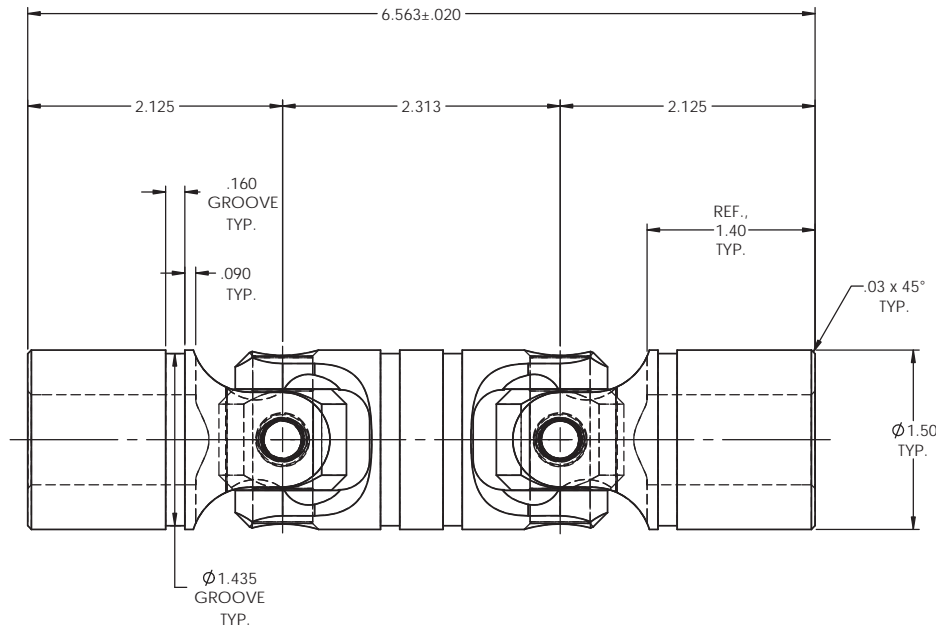


# INFORMATION IN THIS DRAWING PROVIDED FOR REFERENCE ONLY



SCALE 1 : 1

| REVISIONS |      |             |      |          |
|-----------|------|-------------|------|----------|
| ZONE      | REV. | DESCRIPTION | DATE | APPROVED |
|           |      |             |      |          |



$\checkmark$   $\phi .751^{+.000}_{-.001}$   
 $\checkmark$   $\phi .81 \times 90^\circ$  INCL.

TYPICAL BOTH ENDS

NOTE(s), UNLESS OTHERWISE SPECIFIED.

- (1) UNIVERSAL JOINT IS MARKED w/ "BELDEN" LOGO, PART NUMBER / DRAWING NUMBER, REVISION LEVEL (IF ANY), DATE OF MANUFACTURE (MO/YR), AND BELDEN JOB NUMBER.
- (2) UNIVERSAL JOINT IS LUBRICATED w/ LUBRIPLATE 1200-2, NLGI GRADE 2, AW/EP, LITHIUM GREASE OR EQUIVALENT.
- (3) UNIVERSAL JOINT IS CAPABLE OF OPERATING AT ANY ANGLE UP TO AND INCLUDING 45°, 90° FOR THE DOUBLE UNIVERSAL JOINT.
- (4) UNIVERSAL JOINT HAS STANDARD GROOVES TO ACCEPT INSTALLATION OF PROTECTIVE COVERS (BOOTS). BOOTS AVAILABLE SEPARATELY. REFER TO BELDEN CATALOG, WEBSITE, OR CONTACT BELDEN SALES.
- (5) REFER TO BELDEN CATALOG, WEBSITE, OR CONTACT BELDEN SALES FOR TORQUE CAPACITY.
- (6) THIS DRAWING REPRESENTS A STANDARD BELDEN ITEM. CUSTOM UNIVERSAL JOINTS ARE AVAILABLE UPON REQUEST. PLEASE CONTACT BELDEN SALES.

**BELDEN PART NUMBER: DUJ-SS1500x750**

DO NOT SCALE DRAWING

|   |  |   |  |   |      |
|---|--|---|--|---|------|
| UNLESS OTHERWISE SPECIFIED:<br>CHAMFER ALL HOLES<br>BREAK ALL SHARP CORNERS<br>DE-BURR ALL FEATURES<br>TURNED SURFACES: $\sqrt{.63}$<br>MILLED SURFACES: $\sqrt{.125}$<br>PROPRIETARY AND CONFIDENTIAL<br>THE INFORMATION CONTAINED IN THIS DRAWING IS THE SOLE PROPERTY OF BELDEN INCORPORATED. NO REPRODUCTION IN PART OR AS A WHOLE WITHOUT THE WRITTEN PERMISSION OF BELDEN INCORPORATED IS PROHIBITED. | STANDARD TOLERANCES, UNLESS OTHERWISE SPECIFIED<br>DIMENSIONS ARE IN INCHES [mm]   | MATERIAL: STAINLESS STEEL<br>HEAT TREAT: SEE DETAIL DRAWINGS<br>FINISH: NONE  | NAME: JP<br>DATE: 30MAY12<br>CHECKED: RNK 08MAY12<br>ENG APPR: RNK 08MAY12<br>MFG APPR:<br>D/A:<br>COMMENTS: | Belden Incorporated<br>www.beldenuniversal.com<br>TITLE:<br><b>ASSEMBLY,<br/>DOUBLE U-JOINT</b> |      |
|   | ANGULAR MACHINED: $\pm 1.0^\circ$<br>FRACTIONAL: $\pm 0.15$<br>TWO PLACE DECIMAL: $\pm 0.10$<br>THREE PLACE DECIMAL: $\pm 0.05$<br>FOUR PLACE DECIMAL: $\pm 0.005$<br>CONCENTRICITY: $0.0025$ T.I.R. | ALL HOLES TO BE LOCATED ON CENTERLINE (C) WITHIN .005" T.I.R.<br>INTERPRET GEOMETRIC TOLERANCES I.A.W. ANSI Y14.5M-1992 | SIZE: <b>C</b><br>DWG. NO.: DUJ-SS1500x750<br>SCALE: 5:4   WT (lbs): 2.412   SHEET 1 OF 2                    | REV:  | REV: |