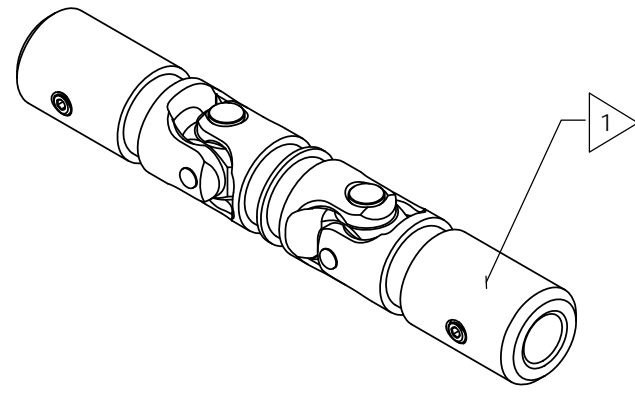
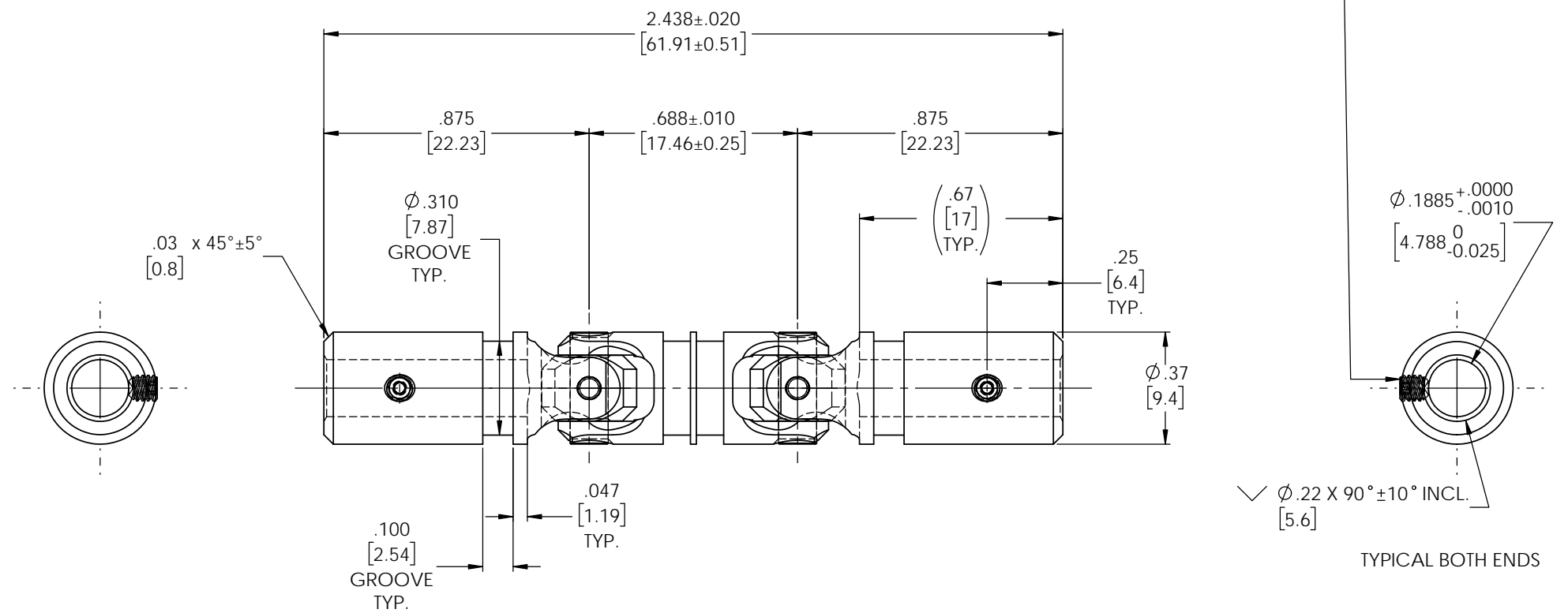


REVISIONS				
ZONE	REV.	DESCRIPTION	DATE	APPROVED

INFORMATION IN THIS DRAWING PROVIDED FOR REFERENCE ONLY



SOCKET SET SCREW, #2-56 x 3/32, CUP POINT, ALLOY STEEL, 2X



NOTE(S), UNLESS OTHERWISE SPECIFIED.

- (1) UNIVERSAL JOINT IS MARKED w/ "BELDEN" LOGO, PART NUMBER / DRAWING NUMBER, REVISION LEVEL (IF ANY), DATE OF MANUFACTURE (MO/YR), AND BELDEN JOB NUMBER.
- (2) UNIVERSAL JOINT IS LUBRICATED w/ LUBRIPLATE 1200-2, NLGI GRADE 2, AW/EP, LITHIUM GREASE OR EQUIVALENT.
- (3) UNIVERSAL JOINT IS CAPABLE OF OPERATING AT ANY ANGLE UP TO AND INCLUDING 45°, 90° FOR THE DOUBLE UNIVERSAL JOINT.
- (4) UNIVERSAL JOINT HAS STANDARD GROOVES TO ACCEPT INSTALLATION OF PROTECTIVE COVERS (BOOTS). BOOTS AVAILABLE SEPARATELY. REFER TO BELDEN CATALOG, WEBSITE, OR CONTACT BELDEN SALES.
- (5) REFER TO BELDEN CATALOG, WEBSITE, OR CONTACT BELDEN SALES FOR TORQUE CAPACITY.
- (6) THIS DRAWING REPRESENTS A STANDARD BELDEN ITEM. CUSTOM UNIVERSAL JOINTS ARE AVAILABLE UPON REQUEST. PLEASE CONTACT BELDEN SALES.

BELDEN PART NUMBER: DUJ-HD375x188-1SS

DO NOT SCALE DRAWING

UNLESS OTHERWISE SPECIFIED CHAMFER ALL HOLES BREAK ALL SHARP CORNERS DE-BURR ALL FEATURES TURNED SURFACES: $\sqrt{}$ MILLED SURFACES: $\sqrt{}$ PROPRIETARY AND CONFIDENTIAL THE INFORMATION CONTAINED IN THIS DRAWING IS THE SOLE PROPERTY OF BELDEN UNIVERSAL. ANY REPRODUCTION IN PART OR AS A WHOLE WITHOUT THE WRITTEN PERMISSION OF BELDEN UNIVERSAL IS PROHIBITED.	STANDARD TOLERANCES, UNLESS OTHERWISE SPECIFIED DIMENSIONS ARE IN INCHES (mm) ANGULAR MACHINED: ±1.0° FRACTIONAL: ±.015 TWO PLACE DECIMAL: ±.010 THREE PLACE DECIMAL: ±.005 FOUR PLACE DECIMAL: ±.0005 CONCENTRICITY: .0025 T.I.R. ALL HOLES TO BE LOCATED ON CENTERLINE (C) WITHIN .005" T.I.R. INTERPRET GEOMETRIC TOLERANCES I.A.W. ASME Y14.5	MATERIAL: ALLOY STEEL HEAT TREAT: SEE DETAIL DRAWINGS FINISH: NONE	INITIALS: AJH DATE: 11JUL18 CHECKED: JN DATE: 07/12/2018 ENG APPR: RNK DATE: 09/11/2018 MFG APPR: QC APPR: COMMENTS:	Belden Universal www.beldenuniversal.com TITLE: ASSEMBLY, DOUBLE UNIVERSAL JOINT SIZE: A DWG. NO.: DUJ-HD375x188-1SS SCALE: 4:1 WT (lbs): 0.050 SHEET 1 OF 2
	TITLED:	REV:	SHEET 1 OF 2	
	SCALE: 4:1 WT (lbs): 0.050	SHEET 1 OF 2	SHEET 1 OF 2	
	SHEET 1 OF 2	SHEET 1 OF 2	SHEET 1 OF 2	