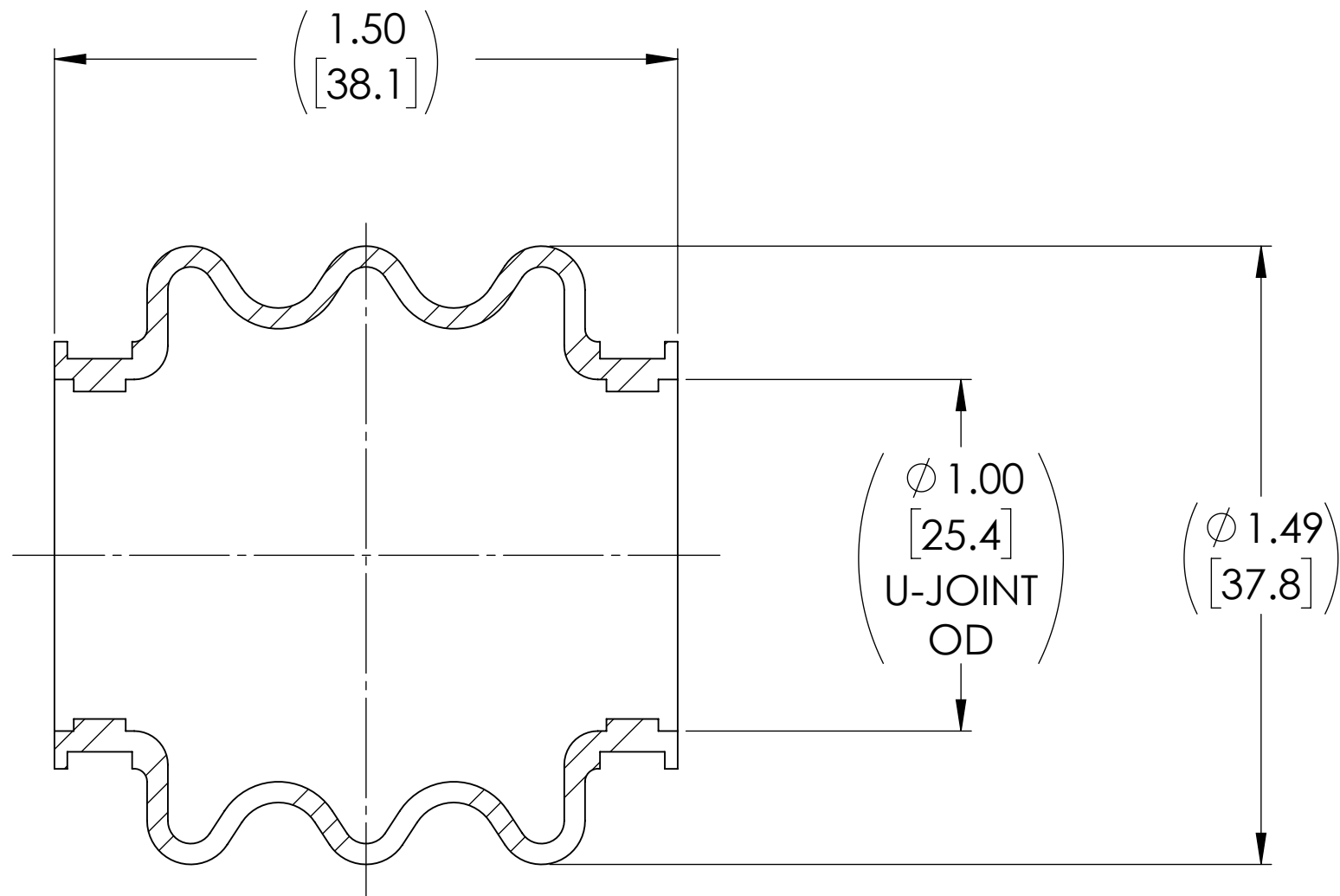
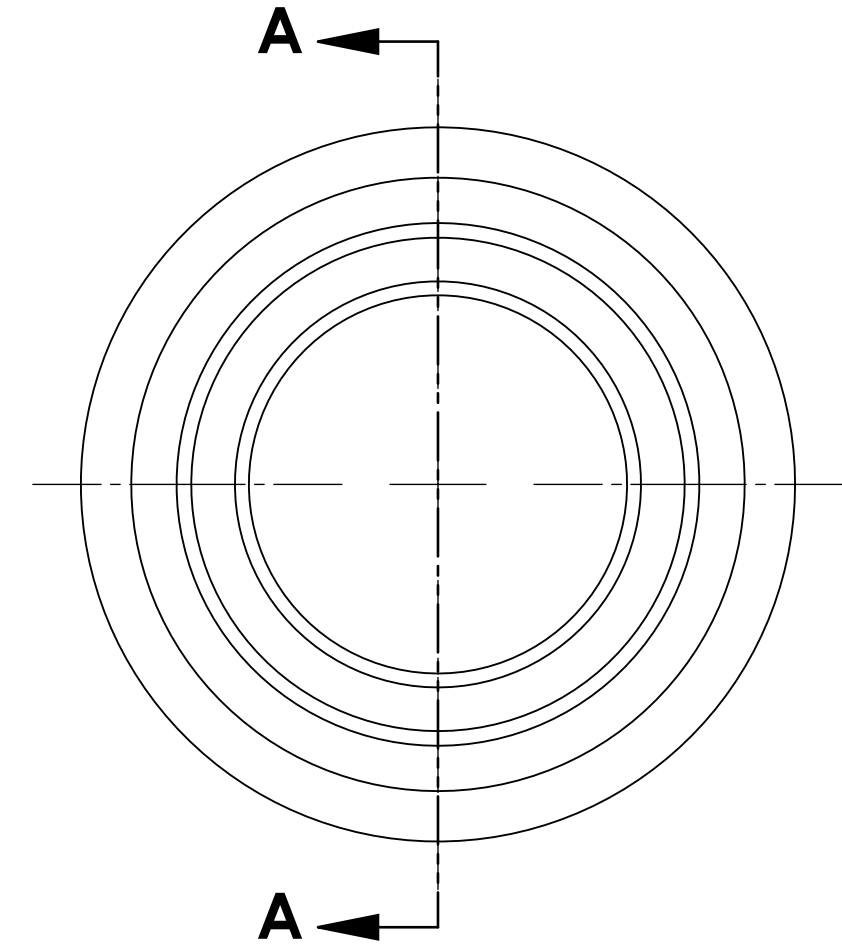


APPROVED

REVISIONS				
ZONE	REV.	DESCRIPTION	DATE	APPROVED
	A	INITIAL RELEASE	2/16/2021	JP



SECTION A-A



NOTE(s), UNLESS OTHERWISE SPECIFIED.

- (1) MATERIAL: NEOPRENE
 - a. COLOR: BLACK
 - b. DUROMETER: 55 ± 5 (SHORE A SCALE).

DO NOT SCALE DRAWING

UNLESS OTHERWISE SPECIFIED CHAMFER ALL HOLES BREAK ALL SHARP CORNERS DE-BURR ALL FEATURES TURNED SURFACES: $\sqrt{63}$ MILLED SURFACES: $\sqrt{125}$ PROPRIETARY AND CONFIDENTIAL THE INFORMATION CONTAINED IN THIS DRAWING IS THE SOLE PROPERTY OF BELDEN UNIVERSAL. ANY REPRODUCTION IN PART OR AS A WHOLE WITHOUT THE WRITTEN PERMISSION OF BELDEN UNIVERSAL IS PROHIBITED.	STANDARD TOLERANCES, UNLESS OTHERWISE SPECIFIED DIMENSIONS ARE IN INCHES [mm] ANGULAR MACHINED: ±1.0° FRACTIONAL: ±.015" TWO PLACE DECIMAL: ±.010" THREE PLACE DECIMAL: ±.005" FOUR PLACE DECIMAL: ±.0005" CONCENTRICITY: .0025" T.I.R.	MATERIAL SEE NOTES HEAT TREAT FINISH SEE NOTES	INITIALS DATE DRAWN JP 16FEB21 CHECKED RNK 03/08/2021 ENG APPR. RNK 03/12/2021 MFG APPR. QC APPR.	Belden Universal www.beldenuniversal.com TITLE: BOOT, NEOPRENE	SIZE A	DWG. NO. 1000 BOOT-CR	REV A
	ALL HOLES TO BE LOCATED ON CENTERLINE (☺) WITHIN .005" T.I.R. INTERPRET GEOMETRIC TOLERANCES I.A.W. ASME Y14.5			COMMENTS:		SCALE: 2.5:1 WT (Lbs): 0.016 SHEET 1 OF 1	